

FreeRider®

SPARE PARTS MANUAL

FR1-CRUISER

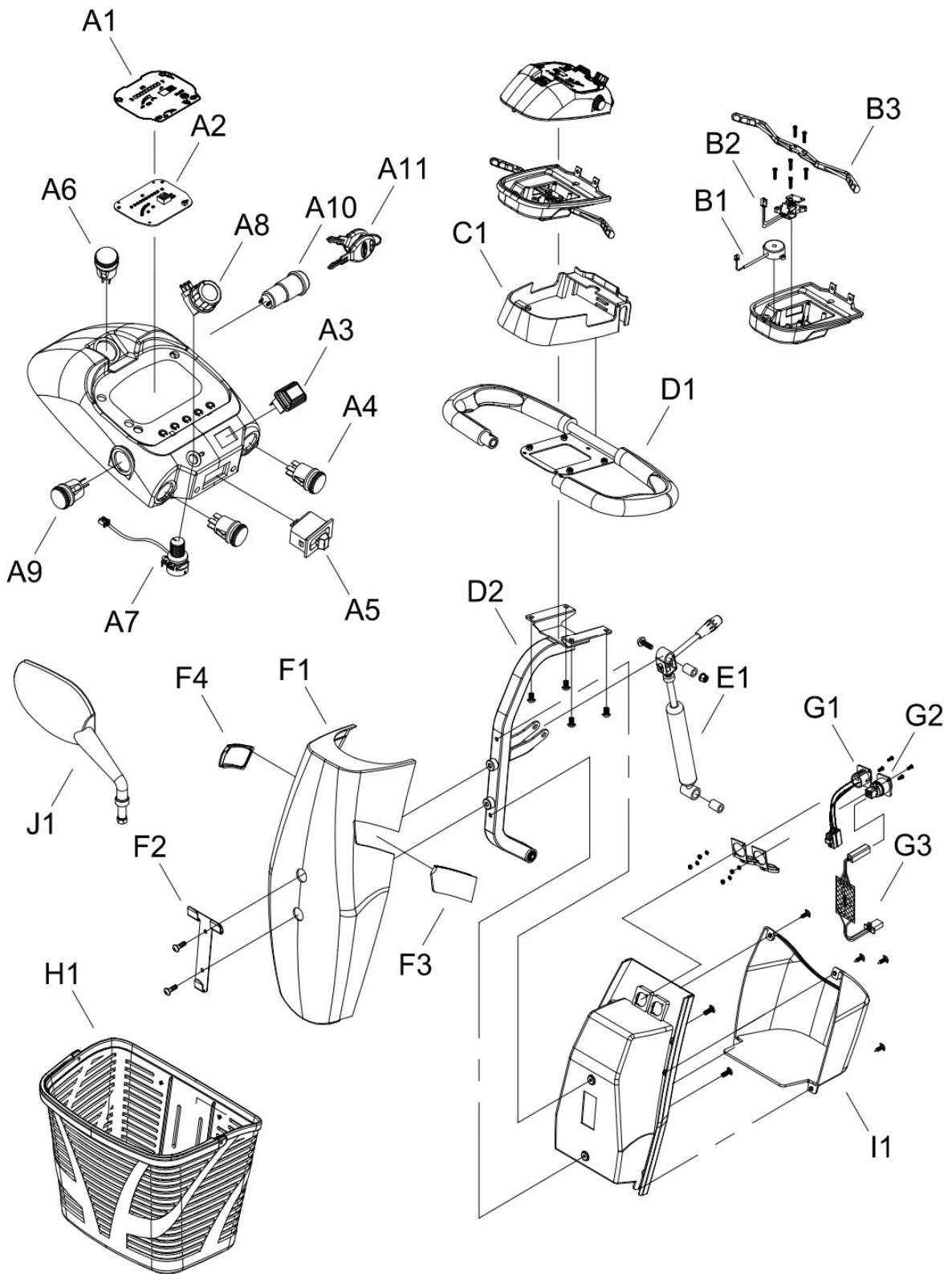
FRD064ARUKNA



INDEX

1. **HANDLEBAR ASSEMBLY**-----P.4
2. **CHASSIS COVER ASSEMBLY**-----P.6
3. **FRONT CHASSIS ASSEMBLY**-----P.8
4. **REAR CHASSIS ASSEMBLY-DRIVE SYSTEM**---P.10
5. **STEERING**-----P.12
6. **SEAT ASSEMBLY**-----P.14
7. **CONSOLE AND WRING SYSTEM**-----P.16

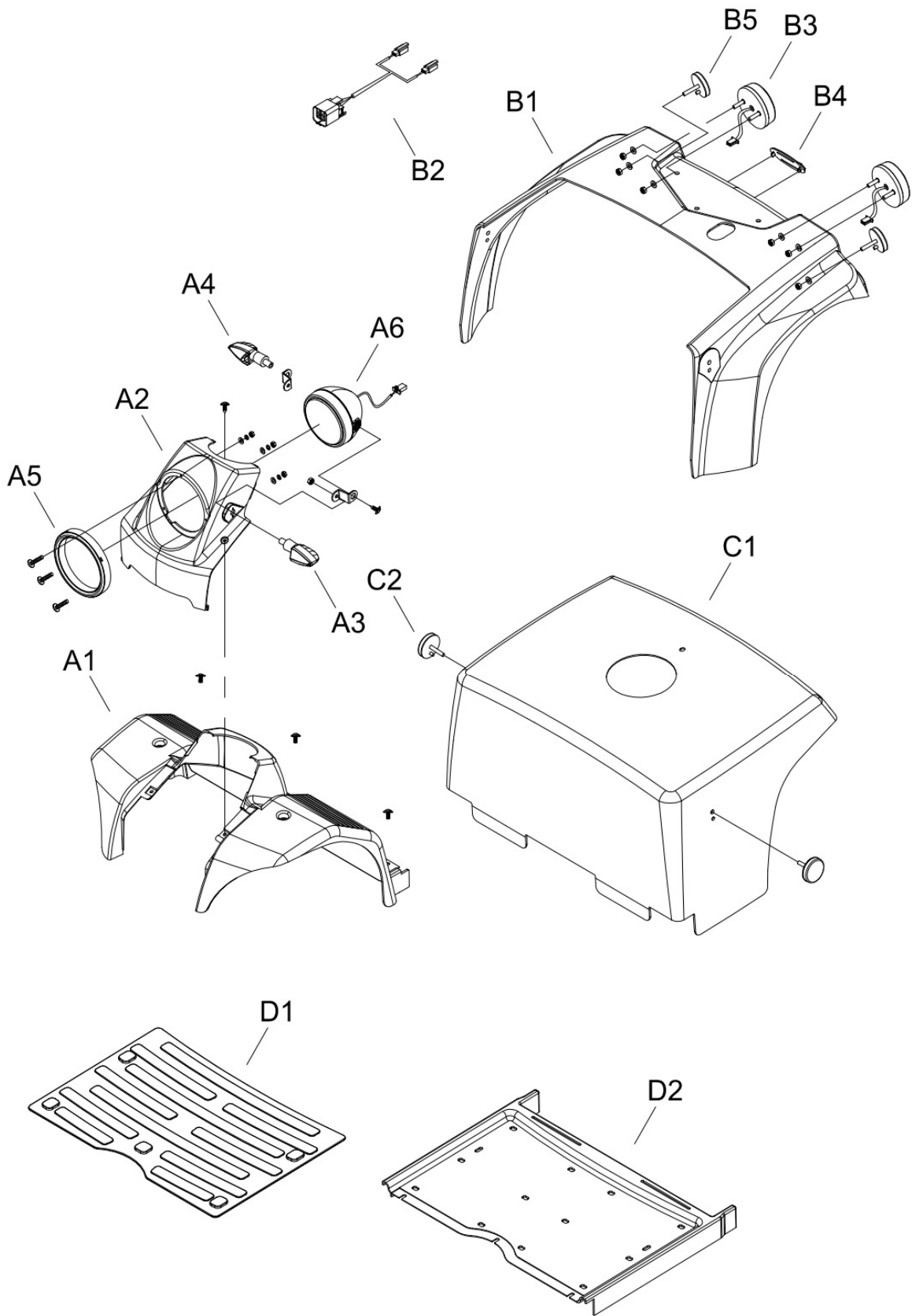
1. HANDLEBAR ASSEMBLY



1. HANDLEBAR ASSEMBLY

販售 Selling	項目 ITEM	品號 Part Number	中文品名 Part Name-CN	英文品名 Part Name-EN	數量 QTY	備註 Remark	GBP
	A1-J1						
	A1-A10	AA01-1205-OD	把手上蓋總成	Top console cover assy.	1		
	A1	PL01-0158	面板貼紙	Sticker	1		
	A2	PKE1-0719	LED顯示板	LED	1		
	A3	PKE1-0111	大燈開關	Head light switch	1		
	A4	PKE1-0113	喇叭開關	Horn button	2		
	A5	PKE1-0114	方向燈開關	Indicator switch	1		
	A6	PKE1-0115	警示燈開關	Warning switch	1		
	A7	PAE1-0110-MO	20KVR小總成	100KVR Potentiometer	1	W/speed knob	
	A8	PP01-0501	速度旋鈕	Speed knob	1		
	A9	PKE1-0112	全/半速開關	HI/LO Speed switch	1		
	A10	PM01-0100	鑰匙開關	Key switch	1		
	A11	PM90-0900	鑰匙	Key	1		
	B1-B3	AAA2-0213-OD	把手下蓋小總成	Console bottom cover assy.	1		
	B1	PKE1-0609	喇叭	Horn	1		
	B2	PAE1-0209	5KVR總成	5KVR Potentiometer	1		
	B3	PP02-0601	前後撥桿	Wig wag accelerator	1		
	C1	PP01-0900-OD	把手頭蓋	Console cover	1		
	D1	PM02-0516	握式把手	Delta handlebar	1		
	D2	PA00-A103	把手架小總成	Tiller frame assy.	1		
	E1	PA03-A201	油壓桿小總成	Cylinder assy.	1		
	F1	PP03-0125-GD	把手前蓋	Tiller front cover	1		
	F2	PM03-0300-D1	籃子掛鉤	Basket hook	1		
	F3	PP06-0106-L	把手前蓋橡膠蓋-左	Rubber cover(Left)	1		
	F4	PP06-0106-R	把手前蓋橡膠蓋-右	Rubber cover(Right)	1		
	G1-G3	AA02-0114	把手後蓋總成	Tiller rear cover assy.	1		
	G1	PAE1-0422	充電座小總成	Charge socket assy.	1		
	G2	PKE1-0909	USB座	USB charge socket	1		
	G3	PKE1-0258	USB轉接線	USB cable	1		
	H1	PA90-A200	籃子	Basket	1		
	I1	AA02-1405	置物蓋小總成	Storage	1		
	J1	PP90-0203-R	後照鏡-右	Mirror(Right)	1		

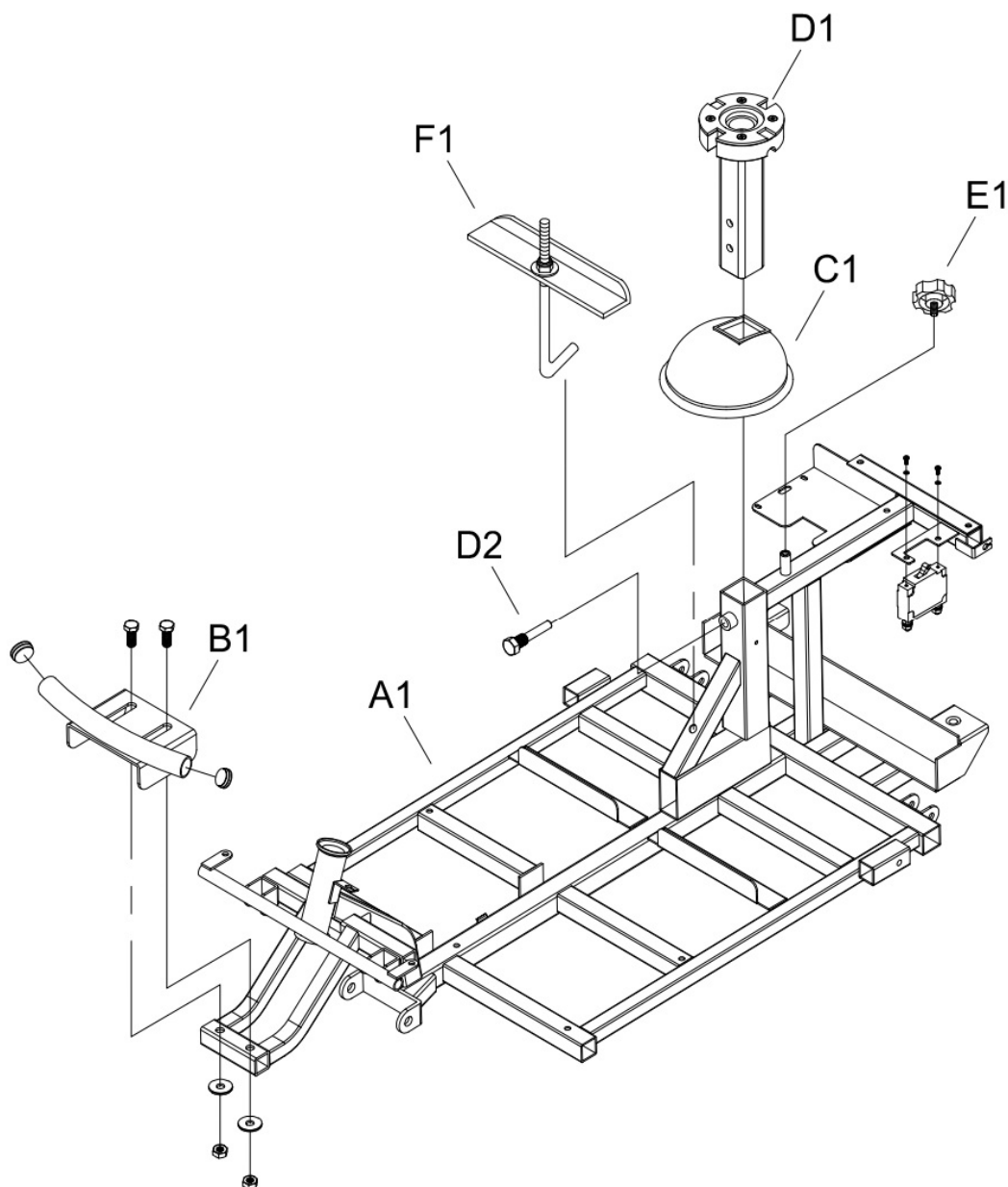
2. CHASSIS COVER ASSEMBLY



2. CHASSIS COVER ASSEMBLY

販售 Selling	項目 ITEM	品號 Part Number	中文品名 Part Name-CN	英文品名 Part Name-EN	數量 QTY	備註 Remark	GBP
	A1-D2						
	A1-A6	AA04-4209	前車殼總成	Front chassis cover assy.	1		
	A1	PP04-0165	前車殼	Front chassis cover	1		
	A2-A4	AA04-2008-GD	大燈蓋總成	Headlight cover assy.	1		
	A2	PP04-1702-GD	大燈蓋	Headlight cover	1		
	A3	PAE3-0213-FL	方向燈小總成-左	Indicator assy.(Left)	1	24V	
	A4	PAE3-0213-FR	方向燈小總成-右	Indicator assy.(Right)	1	24V	
	A5	PAE3-0500-Y	晝行燈圈	Daylight	1		
	A6	PKE3-0115	前大燈	Headlight	1	24V	
	B1-B5	AA05-2915-GD	後車殼總成	Rear chassis cover assy.	1		
	B1	PP05-0165-GD	後車殼	Rear chassis cover	1		
	B2	PKE3-0508	後方向燈線空中接頭	Rear indicator adapter wire	1		
	B3	PKE3-0206	後大燈	Tail light	2	24V	
	B4	PL94-0300-PT	LOGO銘版	Logo plate	1	Freerider	
	B5	PA05-A401-R	反光片(紅)	Reflector (Red)	2		
	C1	PA04-A204-EB	電池蓋小總成	Battery cover assy.	1	W/Reflector (Orange)	
	C2	PA05-A401-Y	反光片(黃)	Reflector (Orange)	2		
	D1	PP04-0530	腳踏墊	PVC foot mat	1		
	D2	PP04-1100-D1	腳踏板	Footplate cover	1		

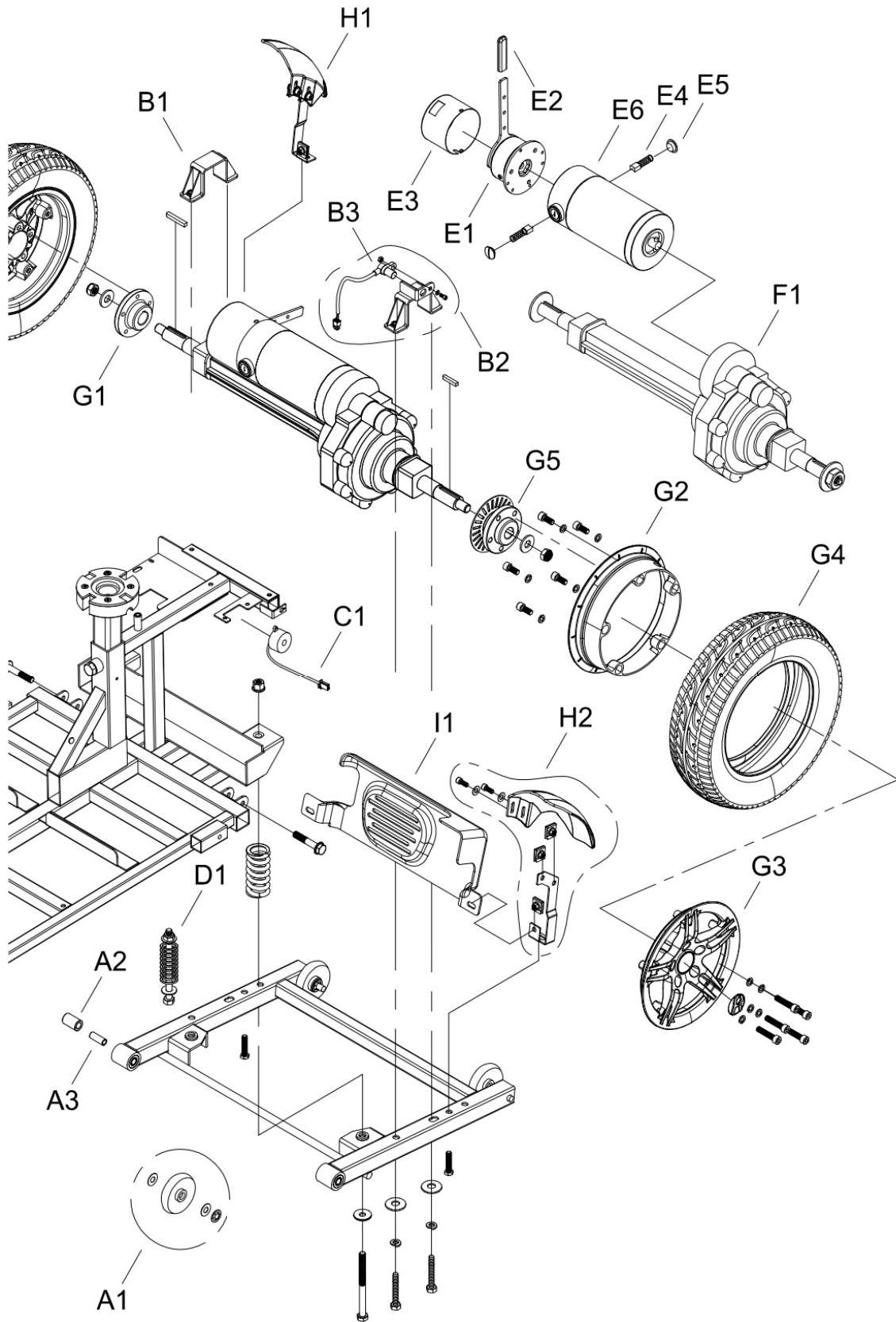
3. FRONT CHASSIS ASSEMBLY



3. FRONT CHASSIS ASSEMBLY

販售 Selling	項目 ITEM	品號 Part Number	中文品名 Part Name-CN	英文品名 Part Name-EN	數量 QTY	備註 Remark	GBP
	A1-F1						
	A1	AB06-2215	前車架總成	Front chassis assy.	1		
	B1	PM06-0218	前保險桿	Front bumper	1		
	C1	PP06-0101	後橡膠套	Rubber cover	1		
	D1	PA06-A703-1	高低調整座小總成	Seat post assy.	1		
	D2	PV00-0702-1	高低調整座螺絲	Screw	1		
	E1	PP00-0212	旋鈕	Knob	1		
	F1	PA90-0300	電瓶固定片小總成	Battery holding plate	1		

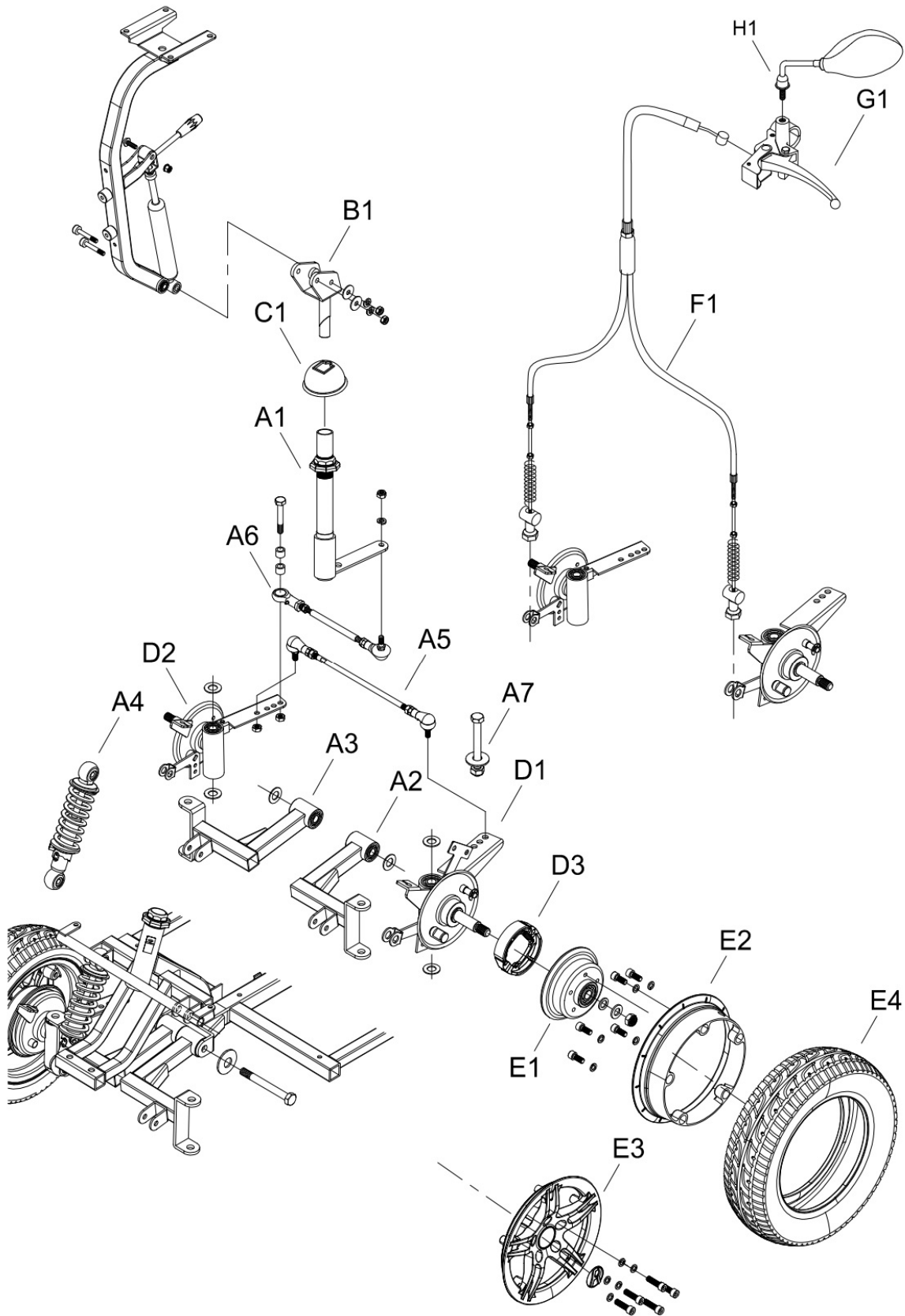
4. REAR CHASSIS ASSEMBLY-DRIVE SYSTEM



4. REAR CHASSIS ASSEMBLY-DRIVE SYSTEM

販售 Selling	項目 ITEM	品號 Part Number	中文品名 Part Name-CN	英文品名 Part Name-EN	數量 QTY	備註 Remark	GBP
	A1-I1						
	A1-A3	AB07-1603	後車架總成	Rear chassis assy.	1		
	A1	PA07-A111	防傾輪小總成	Anti-tip wheel assy.	2		
	A2	PM00-0107-1	強化塑膠軸套	Bushing	2		
	A3	PM00-0114	套筒	Tube	2		
	B1	PA07-B302-L	差速器固定鐵片小總成-左	Transaxle plate (Left)	1		
	B2	PA07-B302-R	差速器固定鐵片小總成-右	Transaxle plate (Right)	1	W/Speed sensor cable	
	B3	PKE4-0307	測速感應線	Speed sensor cable	1		
	C1	PKE1-0601	倒車喇叭	Horn	1		
	D1	PA06-B101	大彈簧小總成	Suspension	2		
	E1-F2	AC11-3207-SY54	差速器總成	Transaxle/Motor/Brake assy.	1		
	E1-E6	PA05-A130-SY54B	馬達小總成	Motor/Brake assy.	1		
	E1	PM11-0118-D	剎車器	Magnetic brake	1		
	E2	PP11-0302	離合器拉桿膠套	Plastic cover for wigwag	1		
	E3	PP11-0603	剎車蓋	Brake cover	1		
	E4	PM11-0408-59.5	馬達碳刷	Motor carbon brush	2		
	E5	PP11-0205	碳刷蓋	Carbon brush cap	2		
	E6	PM11-0337-SY54A	馬達	Motor	1	950W/5400RPM	
	F1	PM11-0242-22	差速器	Transaxle	1	22:1	
	F2	PM13-0201	單圓鍵	Axle key	2		
	G1-G4	AC13-1506-L	後輪總成-左(實心胎)	Rear wheel assy. (Left)	1	Solid tire	
	G1	PM13-0105	後輪接器	Rear hub	1		
	G2	PM12-0310	內鋁框	Inner aluminum rim	1	8"	
	G3	PM12-0410	外鋁框	Outer aluminum rim	1		
	G4	PP92-0209-DIPU	輪胎	Tyre (Solid)	1	12"	
	G5	PA13-A202	後輪接器小總成	Rear hub	1		
	G2-G5	AC13-1506-R	後輪總成-右(實心胎)	Rear wheel assy. (Right)	1	Soild tire	
	H1	PA07-B151-R-EB	後輪防水罩小總成-右	Rear mudguard assy.(Right)	1		
	H2	PA07-B151-L-EB	後輪防水罩小總成-左	Rear mudguard assy.(Left)	1		
	I1	PA04-A307	馬達罩小總成	Motor cover assy.	1		

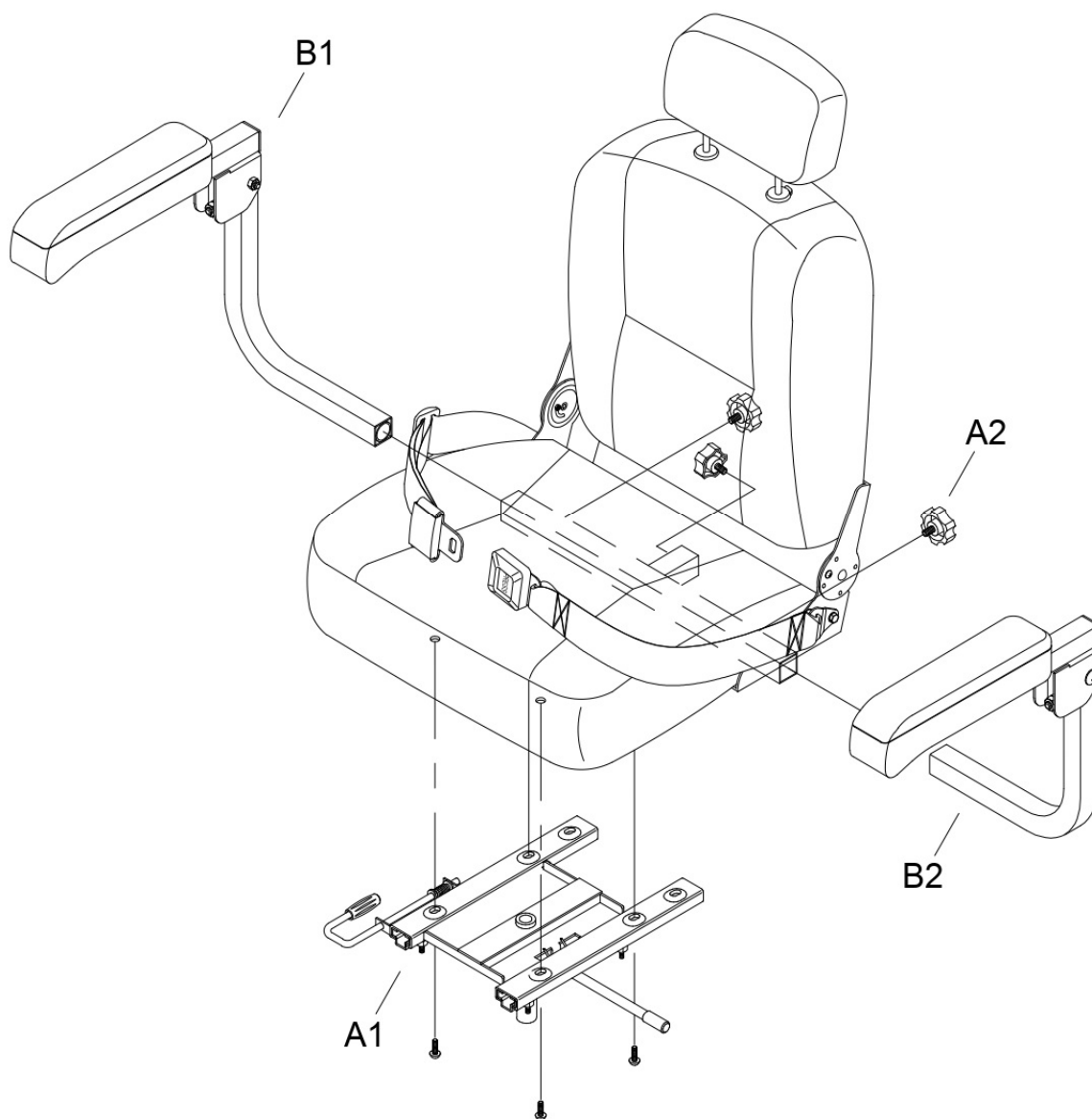
5. STEERING



5. STEERING

販售 Selling	項目 ITEM	品號 Part Number	中文品名 Part Name-CN	英文品名 Part Name-EN	數量 QTY	備註 Remark	GBP
	A1-H1						
	A1	AC08-0119	L型桿總成	Steering shaft assy.	1		
	A2	PA09-A914-L	前搖臂-左	Upper arm (Left)	1		
	A3	PA09-A914-R	前搖臂-右	Upper arm (Right)	1		
	A4	PM06-0512-R	避震器	Suspension	2		
	A5	PA09-A225	長連桿小總成	Long connecting rod assy.	1		
	A6	PA09-A224	短連桿小總成	Short connecting rod assy.	1		
	A7	PA06-B300	M12螺絲小總成	M12 screw	3		
	B1	PA10-A108	角度調整器總成	Handlebar jointbase assy.	1		
	C1	PP10-0101	前橡膠套	Rubber cover	1		
	D1	PA09-A309-L	轉向心軸小總成-左	Turning axle assy.(Left)	1		
	D2	PA09-A309-R	轉向心軸小總成-右	Turning axle assy.(Right)	1		
	D3	PM19-0703	剎車來令片 含彈簧	Brake pad with spring	1		
	E1-E4	AC12-0902-DIPU	前輪總成(實心胎)	Front wheel assy.	2	Solid tire	
	E1	PA19-A502	剎車鼓小總成	Brake drum	2		
	E2	PM12-0310	內鋁框	Inner aluminum rim	1	8"	
	E3	PM12-0410	外鋁框	Outer aluminum rim	1		
	E4	PP92-0209-DIPU	輪胎	Tyre (Solid)	2	12"	
	F1	PA19-A406	剎車鋼線小總成	Brake cable assy.	1		
	G1	PM19-0101-L/D	手剎車	Hand brake	1	Left	
	H1	PP90-0203-L	後照鏡-左	Mirror (Left)	1		

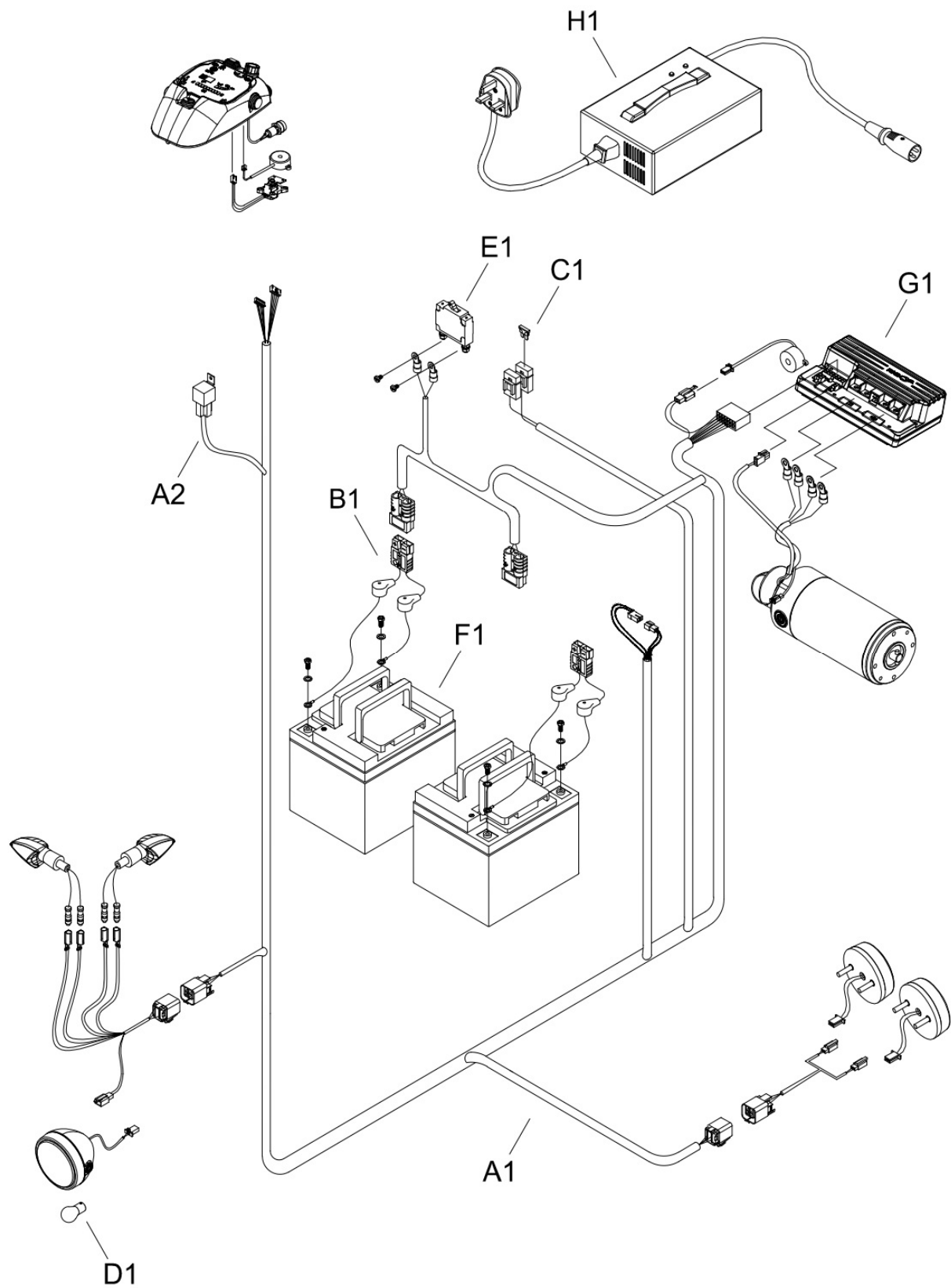
6. SEAT ASSEMBLY



6. SEAT ASSEMBLY

販售 Selling	項目 ITEM	品號 Part Number	中文品名 Part Name-CN	英文品名 Part Name-EN	數量 QTY	備註 Remark	GBP
	A1-B2						
	A1-B2	AD00-0240-BG	豪華座椅大總成	Seat assy.	1		
	A1-A2	AD15-0220-BG	座椅總成	Seat assy.	1		
	A1	PA15-A105-1	承座小總成	Seat base assy.	1		
	A2	PP00-0200	梅花旋鈕	Knob	3		
	B1	AD14-0600-R-A00	座椅扶手總成-右	Armrest assy.(Right)	1		
	B2	AD14-0600-L-A00	座椅扶手總成-左	Armrest assy.(Left)	1		

7.CONSOLE AND WIRING SYSTEM



7.CONSOLE AND WIRING SYSTEM

販售 Selling	項目 ITEM	品號 Part Number	中文品名 Part Name-CN	英文品名 Part Name-EN	數量 QTY	備註 Remark	GBP
	A1-H1						
	A1	PKE2-0253	主線	Main cable	1	W/Relay	
	A2	PK00-0700	繼電器	Relay	1		
	B1	PAE3-0301-1	電源線小總成	Battery cable assy.	2		
	C1	PKE1-1002	保險絲	Fuse	1	10A	
	D1	PK00-0114	燈泡	Bulb	1	24V/18W	
	E1	PKE2-0407	無熔絲開關	Circuit breaker	1	50A	
	F1	PK90-0208-KL	電瓶	Battery	2	75A	
	G1	PKE2-0120	下控制器	Controller	1	DS160	
	H1	PK90-H120-1	充電機	Charger	1	12A	