

FreeRider[®]

SPARE PARTS MANUAL

Mayfair Evolution

FRS134BSUKNB

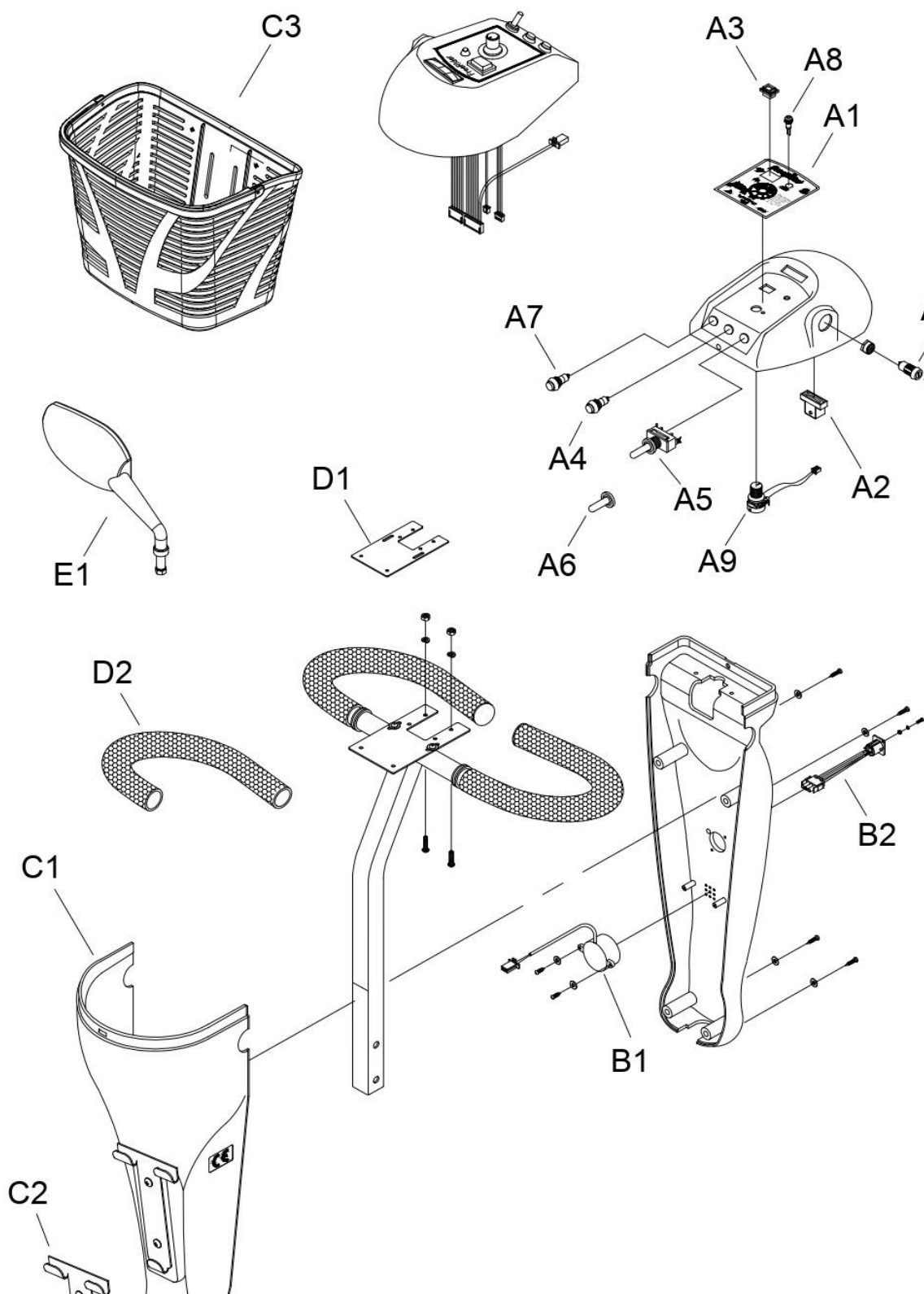


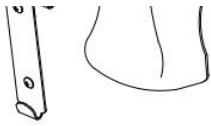


INDEX

1. **HANDLEBAR ASSEMBLY**.....
2. **CHASSIS COVER ASSEMBLY**.....
3. **FRONT CHASSIS ASSEMBLY**.....
4. **REAR CHASSIS ASSEMBLY-DRIVE SYSTE**
5. **STEERING**.....
- 6 **SEAT ASSEMBLY**.....
7. **CONSOLE AND WRING SYSTEM**.....

1. HANDLEBAR ASSEMBLY

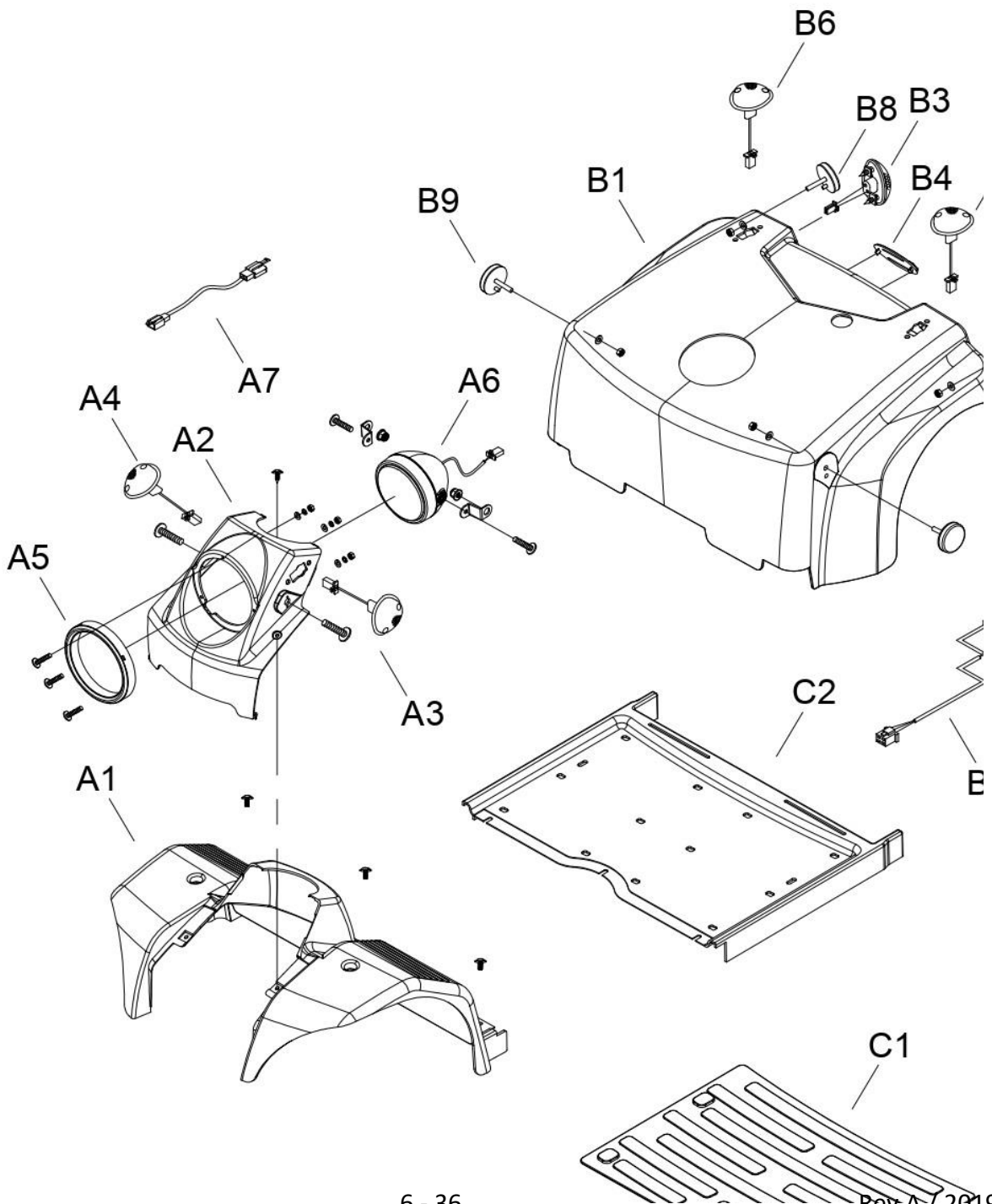




1. HANDLEBAR ASSEMBLY

販售 Selling	項目 ITEM	品號 Part Number	中文品名 Part Name-CN	英文品名 Part Name-EN	數量 QTY
	A1-E1				
	A1-A11	AA01-0137-◎	把手上蓋總成	Top console cover assy.	1
	A1	PL01-0119	面板貼紙	Sticker	1
	A2	PKE1-0700	電錶	Battery meter	1
	A3	PAE1-0800	大燈開關	Head light switch	1
	A4	PKE1-0103	喇叭開關	Horn switch	1
	A5	PKE1-0105	搖頭開關	Indicator switch	1
	A6	PP01-0200	搖頭開關蓋	Indicator switch cap	1
	A7	PKE1-0101	警示開關	Warning switch	1
	A8	PKE1-0800	LED指示燈(綠)	Status light(Green)	1
	A9	PAE1-0100-MO	20KVR小總成	20KVR Potentiometer	1
	A10	PP01-0500	速度旋鈕	Speed knob	1
	A11	PM01-0100	鑰匙開關	Key switch	1
	A12	PM90-0900	鑰匙	Key	1
	B1-B2	AA02-0100-◎	把手後蓋總成	Tiller rear cover assy.	1
	B1	PKE1-0603	喇叭-長	Horn	1
	B2	PAE1-0405-NP-A00	充電座小總成	Charge socket assy.	1
	C1	AA03-0407-◎	把手前蓋總成	Tiller front cover assy.	1
	C2	PM03-0300-D1	籃子掛鉤	Basket hook	1
	C3	PA90-A200	籃子	Basket	1
	D1-D2	PA01-A401-1	握式把手小總成	Delta handlebar assy.	1
	D1	PM02-0105	5KVR固定鐵片	Potentiometer plate	1
	D2	PP02-0502	把手握套	Hand grip	2
	E1	PP90-0203-R	後照鏡-右	Mirror(Right)	1

2. CHASSIS COVER ASSEMBLY

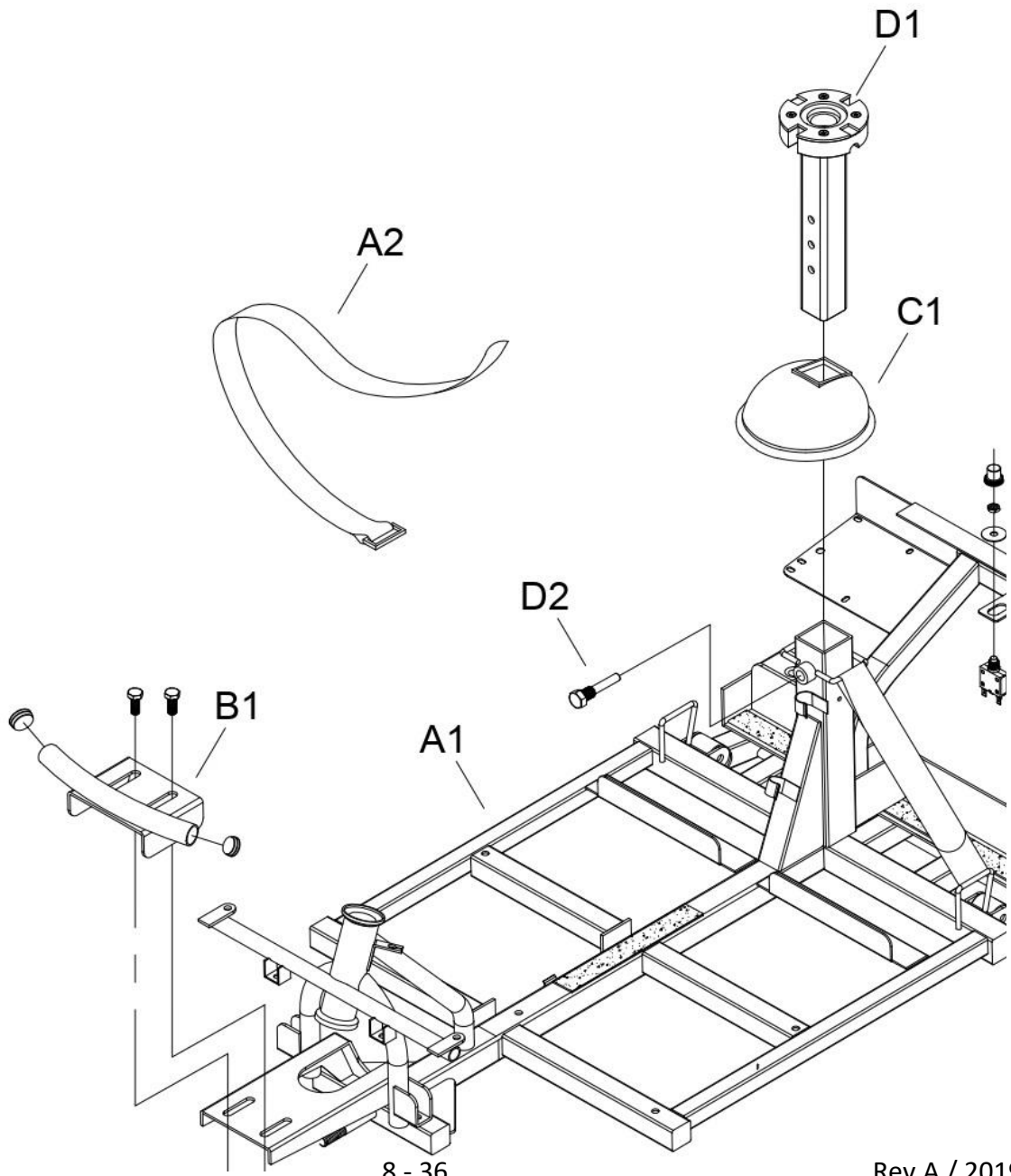




2. CHASSIS COVER ASSEMBLY

販售 Selling	項目 ITEM	品號 Part Number	中文品名 Part Name-CN	英文品名 Part Name-EN	數量 QTY
	A1 – C2				
	A1 – A7	AA04-4206	前車殼總成	Front chassis cover assy.	1
		AA04-4204			
	A1	PP04-0162	前車殼	Front chassis cover	1
	A2 – A4	AA04-2009-◎	大燈蓋總成	Headlight cover assy.	1
	A2	PP04-1703-◎	大燈蓋	Headlight cover	1
	A3	PAE3-0200-L	方向燈小總成-左	Indicator assy.(Left)	1
	A4	PAE3-0200-R	方向燈小總成-右	Indicator assy.(Right)	1
	A5	PAE3-0500-◎	晝行燈圈	Daylight	1
	A6	PKE3-0115	前大燈	Headlight	1
	A7	PK90-0418	晝行燈圈線	Daylight cable	1
	B1 – B9	AA05-2910-◎	後車殼總成	Rear chassis cover assy.	1
	B1	PP05-0167-◎	後車殼	Rear chassis cover	1
	B2	PAE3-0100-L	後大燈小總成-左	Tail light (Left)	1
	B3	PAE3-0100-R	後大燈小總成-右	Tail light (Right)	1
	B4	PL94-0300-PT	LOGO銘版	Logo plate	1
	B5	PAE3-0200-L/R	方向燈小總成-左	Indicator assy.(Left)	1
	B6	PAE3-0200-R	方向燈小總成-右	Indicator assy.(Right)	1
	B7	PP05-0403-R	反光片(紅)	Reflector (Red)	2
	B8	PP05-0403-Y	反光片(黃)	Reflector (Orange)	2
	B9	PKE3-0500	後方向燈線空中接頭	Rear indicator adapter wire	1
	C1	PP04-0530	腳踏墊	PVC foot mat	1
	C2	PP04-1100-D1	腳踏板	Footplate cover	1

3. FRONT CHASSIS ASSEMBLY

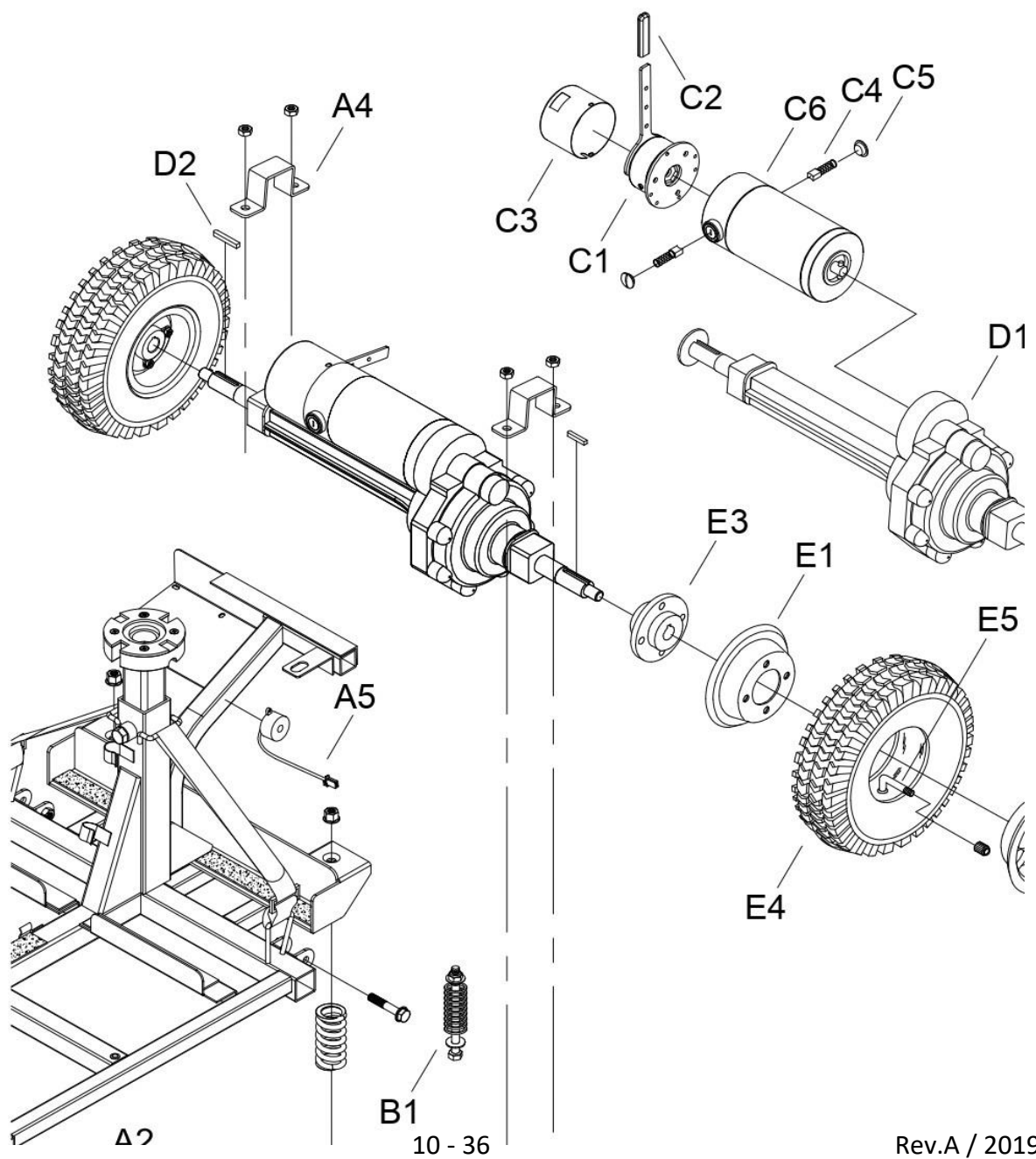


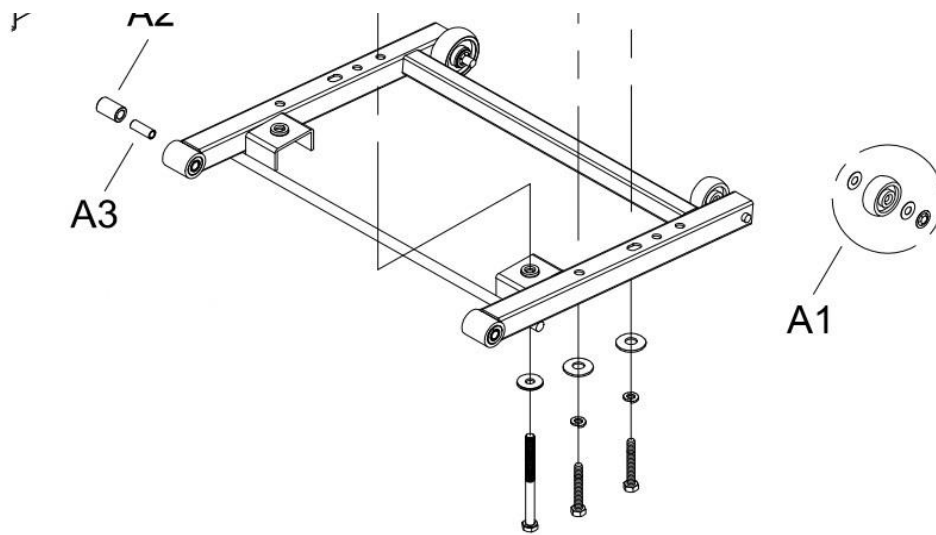


3. FRONT CHASSIS ASSEMBLY

販售 Selling	項目 ITEM	品號 Part Number	中文品名 Part Name-CN	英文品名 Part Name-EN	數量 QTY
	A1-D2				
	A1	AB06-2212	前車架總成	Front chassis assy.	1
	A2	PP90-0401	電瓶束帶	Battery fasten strap	2
	B1	PM06-0218	前保險桿	Front bumper	1
	C1	PP06-0101	後橡膠套	Rubber cover	1
	D1	PA06-A701-1	高低調整座小總成	Seat post assy.	1
	D2	PV00-0702-1	高低調整座螺絲	Screw	1

4. REAR CHASSIS ASSEMBLY-DRIVE SYSTEM

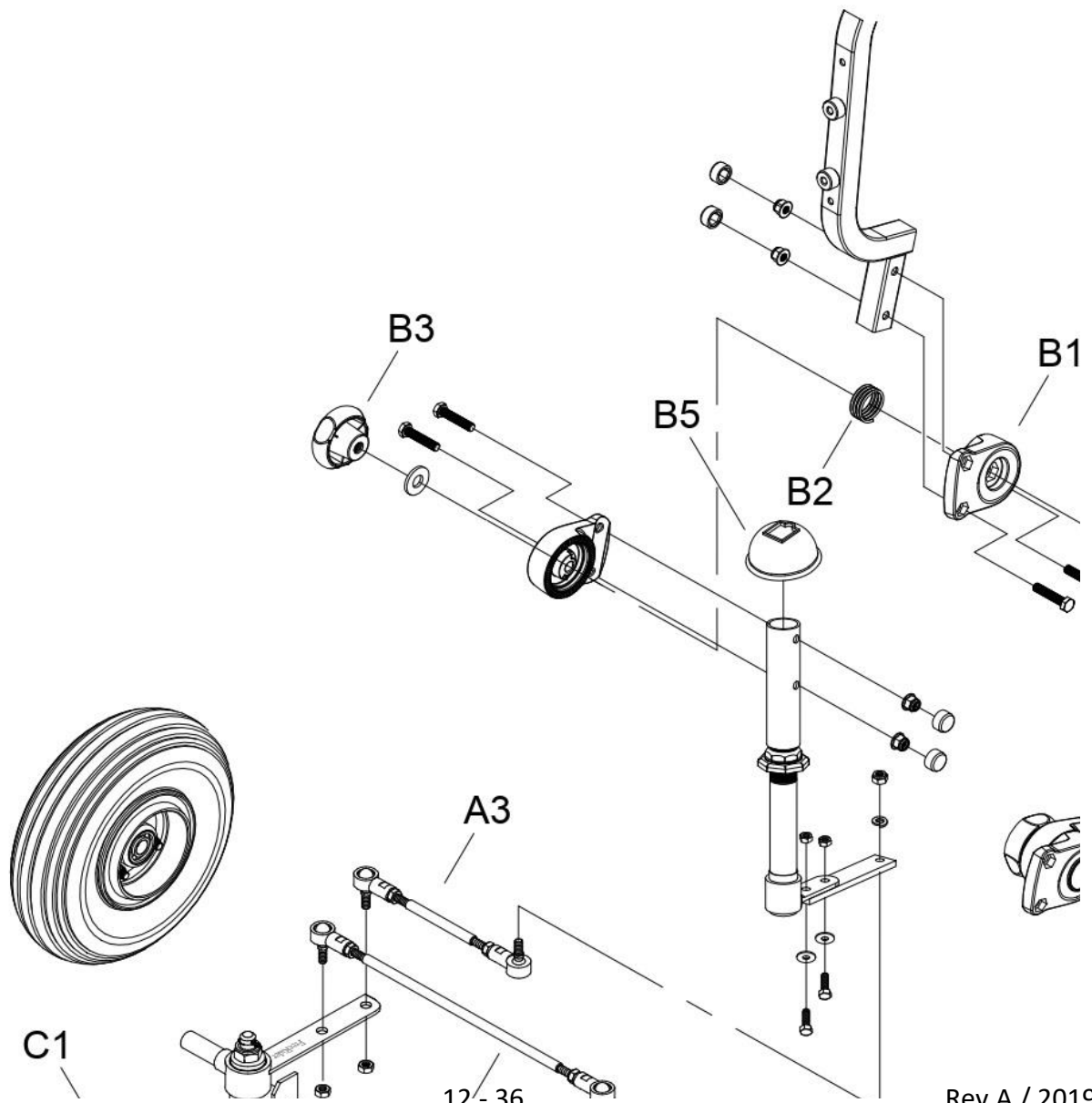


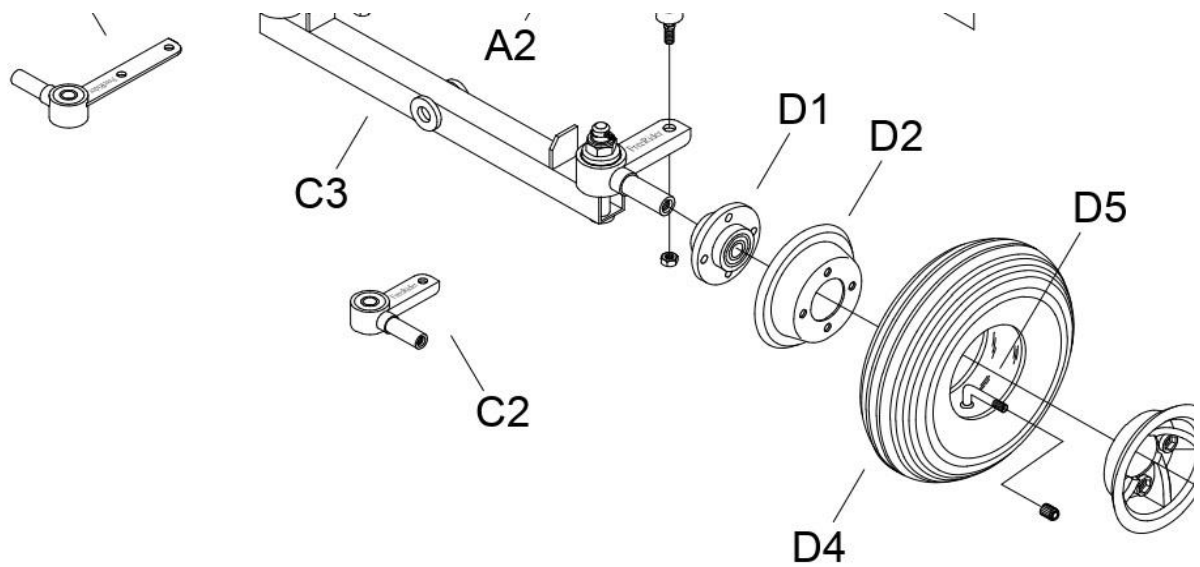


4. REAR CHASSIS ASSEMBLY-DRIVE SYSTEM

販售 Selling	項目 ITEM	品號 Part Number	中文品名 Part Name-CN	英文品名 Part Name-EN	數量 QTY
	A1 – E5				
	A1 – A5	AB07-1602	後車架總成	Rear chassis assy.	1
	A1	PA07-A102	防傾輪小總成	Anti-tip wheel assy.	2
	A2	PM00-0107-1	強化塑膠軸套	Bushing	2
	A3	PM00-0114	套筒	Tube	2
	A4	PM07-0202	差速器固定鐵片	Transaxle plate	2
	A5	PKE1-0601	倒車喇叭	Horn	1
	B1	PA06-B100	大彈簧小總成	Suspension	2
	C1 – D2	AC11-3202-SY36	差速器總成	Transaxle/Motor/Brake assy.	1
	C1 – C6	PA05-A109-SY36C	馬達小總成	Motor/Brake assy.	1
	C1	PM11-0105-P	剎車器	Magnetic brake	1
	C2	PP11-0301	離合器拉桿膠套	Plastic cover for wigwag	1
	C3	PP11-0604	剎車蓋	Brake cover	1
	C4	PM11-0403-50	馬達碳刷	Motor carbon brush	2
	C5	PP11-0201	碳刷蓋	Carbon brush cap	2
	C6	PM11-0310-SY36B	馬達	Motor	1
	D1	PA11-A900-D	差速器	Transaxle	1
	D2	PM13-0201	單圓鍵	Axle key	2
	E1 – E5	AC13-1502-DI	後輪總成	Rear wheel assy.	2
	E1	PM12-0302	鐵圈	Rim	2
	E2	PM12-0407-B	鋁圈	Aluminum rim	2
	E3	PM13-0104-B	後輪接器	Rear hub	2
	E4	PP92-0301-DI	輪胎	Tyre	2
	E5	PP93-0300-I	內胎	Tube	2

5. STEERING

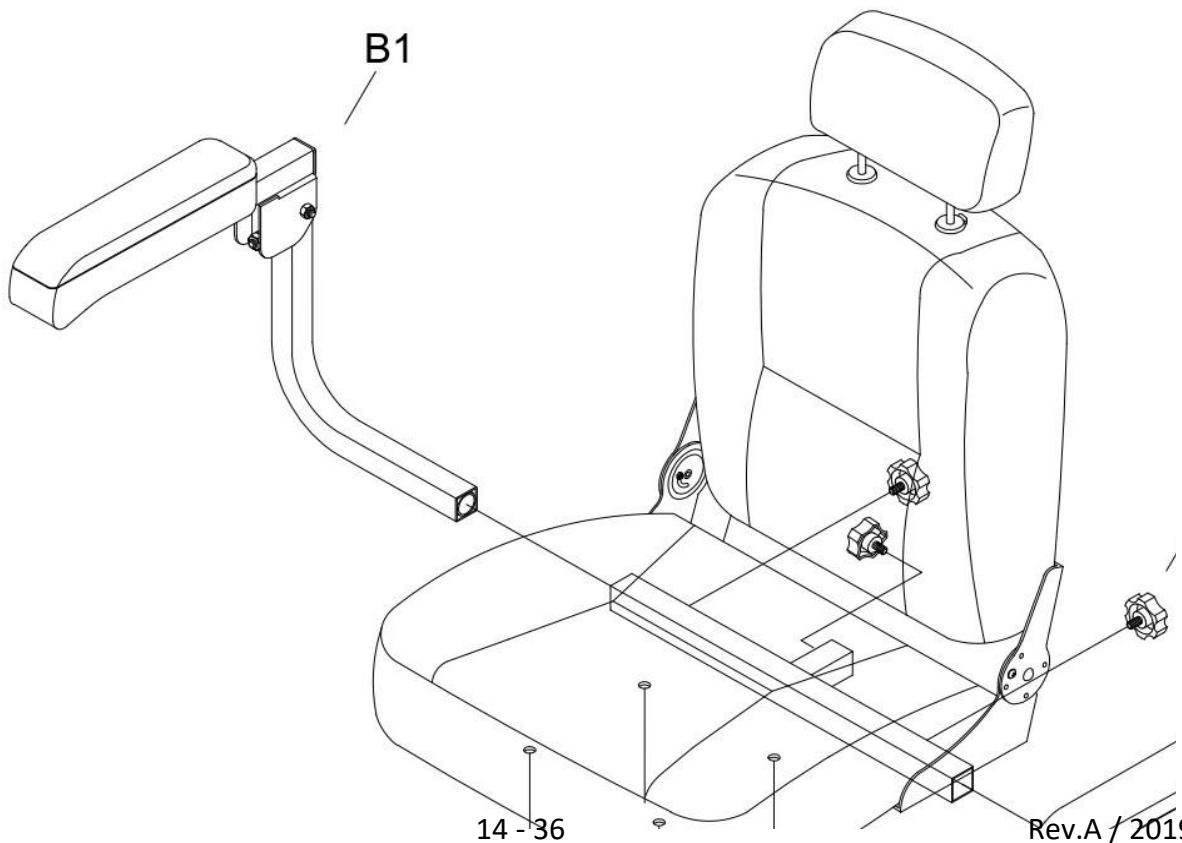


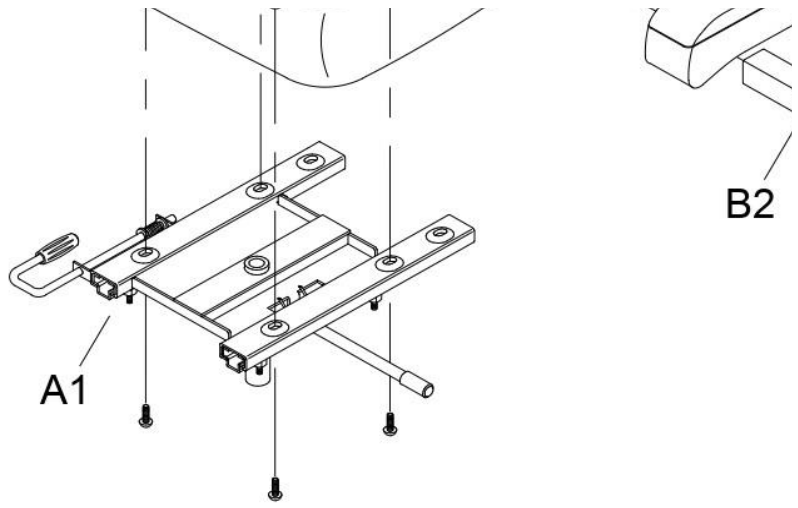


5. STEERING

販售 Selling	項目 ITEM	品號 Part Number	中文品名 Part Name-CN	英文品名 Part Name-EN	數量 QTY
	A1 – D5				
	A1	AC08-0114	L型桿總成	Steering shaft assy.	1
	A2	PA09-A200-F	長連桿小總成	Long connecting rod assy.	1
	A3	PA09-A213-F	短連桿小總成	Short connecting rod assy.	1
	B1 – B5	AC10-0606	角度調整器總成	Handlebar jointbase assy.	1
	B1	PM10-0112	角度調整器	Handlebar jointbase	2
	B2	PM06-0619	壓縮彈簧	Spring	1
	B3	PP00-0208	旋鈕	Knob	1
	B4	PP91-0002	輪圈蓋	Cap	1
	B5	PP10-0101	前橡膠套	Rubber cover	1
	C1	PA09-A600	轉向器(長)小總成	Turning axle assy.(Long)	1
	C2	PA09-A601	轉向器(短)小總成	Turning axle assy.(Short)	1
	C3	PM09-0500	前輪桿	Front axle	1
	D1 – D5	AC12-1401-DI	前輪總成	Front wheel assy.	2
	D1	PA12-A102	前輪連接器	Front hub	2
	D2	PM12-0302	鐵圈	Rim	2
	D3	PM12-0407-B	鋁圈	Aluminum rim	2
	D4	PP92-0300-DI	輪胎	Tyres	2
	D5	PP93-0300-I	內胎	Tire	2

6. SEAT ASSEMBLY

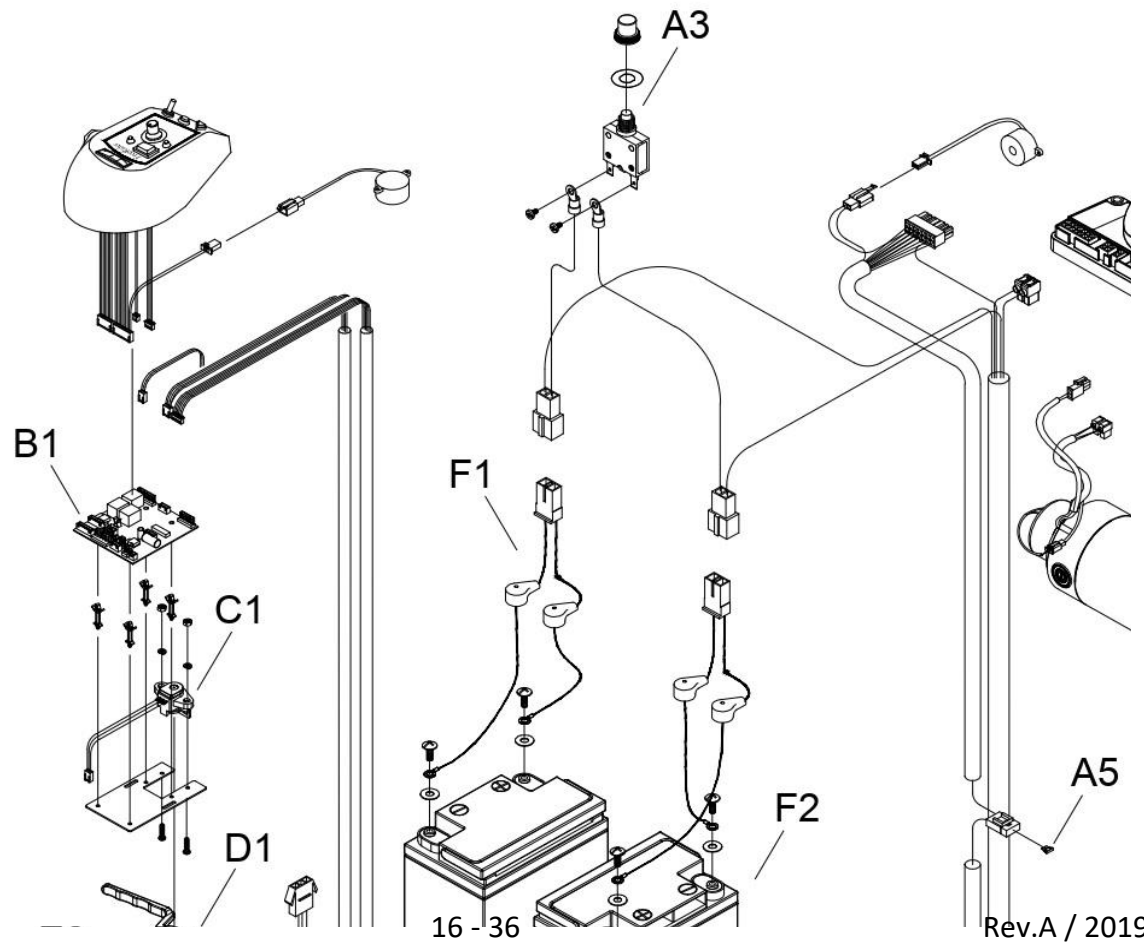


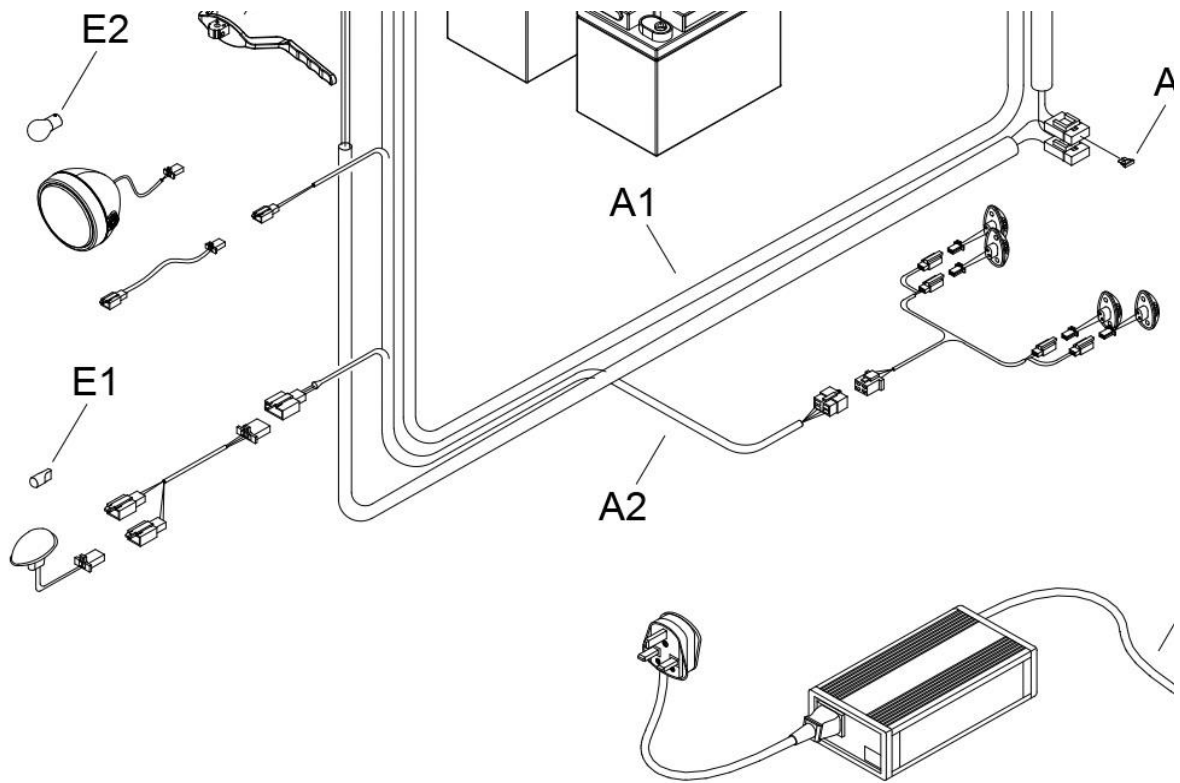


6. SEAT ASSEMBLY

販售 Selling	項目 ITEM	品號 Part Number	中文品名 Part Name-CN	英文品名 Part Name-EN	數量 QTY
	A1 - B2				
	A1 - B2	AD00-0252-B	豪華座椅大總成	Seat assy.	1
	A1 - A2	AD15-1202-B1	座椅總成	Seat assy.	1
	A1	PA15-A104	承座小總成	Seat base assy.	1
	A2	PP00-0200	梅花旋鈕	Knob	3
	B1	AD14-0600-R-A00	座椅扶手總成-右	Armrest assy.(Right)	1
	B2	AD14-0600-L-A00	座椅扶手總成-左	Armrest assy.(Left)	1

7.CONSOLE AND WIRING SYSTEM





7. CONSOLE AND WIRING SYSTEM

販售 Selling	項目 ITEM	品號 Part Number	中文品名 Part Name-CN	英文品名 Part Name-EN	數量 QTY
	A1-H1				
	A1	PKE2-0222	主線	Main cable	1
	A2	PKE3-0606	前後大燈線	Light cable	1
	A3	PKE2-0402	無熔絲開關	Circuit breaker	1
	A4	PKE1-1002	保險絲	Fuse	1
	A5	PKE1-1002-2	保險絲	Fuse	1
	B1	PAE1-0300-B1	PCB板	P.C.B	1
	C1	PA02-A204	5KVR小總成	5KVR Potentiometer	1
	D1	PM02-0302-D2	前後撥桿	Wig wag accelerator	1
	E1	PK00-0101	燈泡	Bulb	6
	E2	PK00-0114	燈泡	Bulb	1
	F1	PAE3-0300-R-1	電源線小總成	Battery cable assy.	2
	F2	PK90-0205-KL	電瓶	Battery	2
	G1	PKE2-0112	下控制器	Controller	1
	H1	PK90-H502-1	充電機	Charger	1

-----P.4

-----P.6

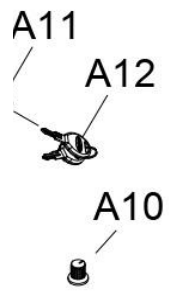
-----P.8

M-----P.10

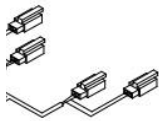
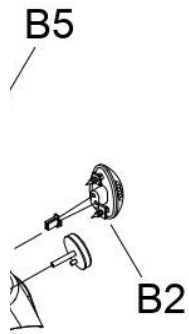
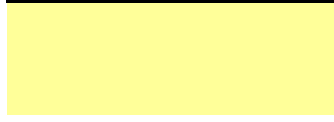
-----P.12

-----P.14

-----P.16



備註 Remark	GBP
◎=DB : Royal blue 、 NR : Red	
W/speed knob	
◎=DB : Royal blue 、 R1 : Red	
◎=DB : Royal blue 、 NR : Red (W/Basket hook)	



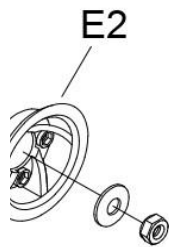
39

備註 Remark	GBP
Royal blue headlight cover	
Red headlight cover	
◎=DB : Royal blue、NR : Red	
◎=DB : Royal blue、NR : Red	
Front	
◎=Y : Yellow 、 B : Blue	
◎=DB : Royal blue、NR : Red	
◎=DB : Royal blue、NR : Red	
Freerider	
Rear	

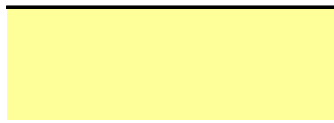




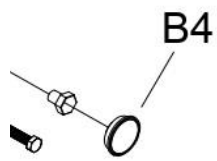
I



備註 Remark	GBP
45KG	
250W	
19.25:1	
4"	
4"	
D19	
10"	

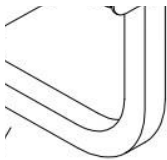


|

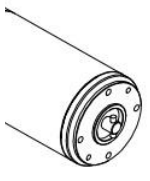
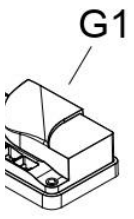




備註 Remark	GBP
4"	
4"	
10"	



備註 Remark	GBP
M8x15L	



4

H1



備註 Remark	GBP
50A	
10A	
10A	
24V/5W	
24V/18W	
36A	
DR90	
5A	

