

freerider®

SPARE PARTS MANUAL

Westminster Deluxe
Westminster Deluxe

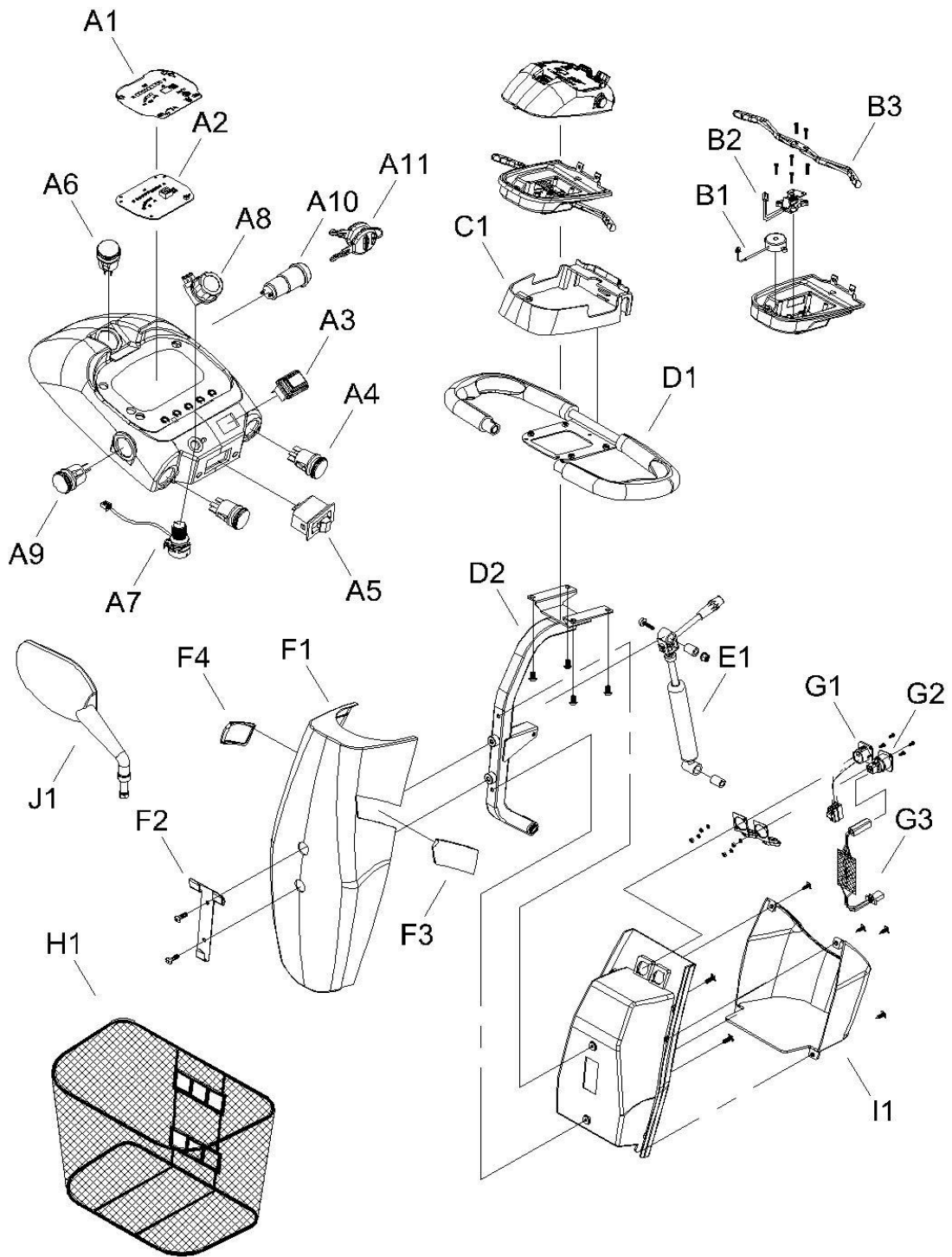
FRH014BRUKNA
UK-GDX(SB12.8)



INDEX

1. **HANDLEBAR ASSEMBLY**-----P.4
2. **CHASSIS COVER ASSEMBLY**-----P.6
3. **FRONT CHASSIS ASSEMBLY**-----P.8
4. **REAR CHASSIS ASSEMBLY-DRIVE SYSTEM**---P.10
5. **STEERING**-----P.12
6. **SEAT ASSEMBLY**-----P.14
7. **CONSOLE AND WRING SYSTEM**-----P.16

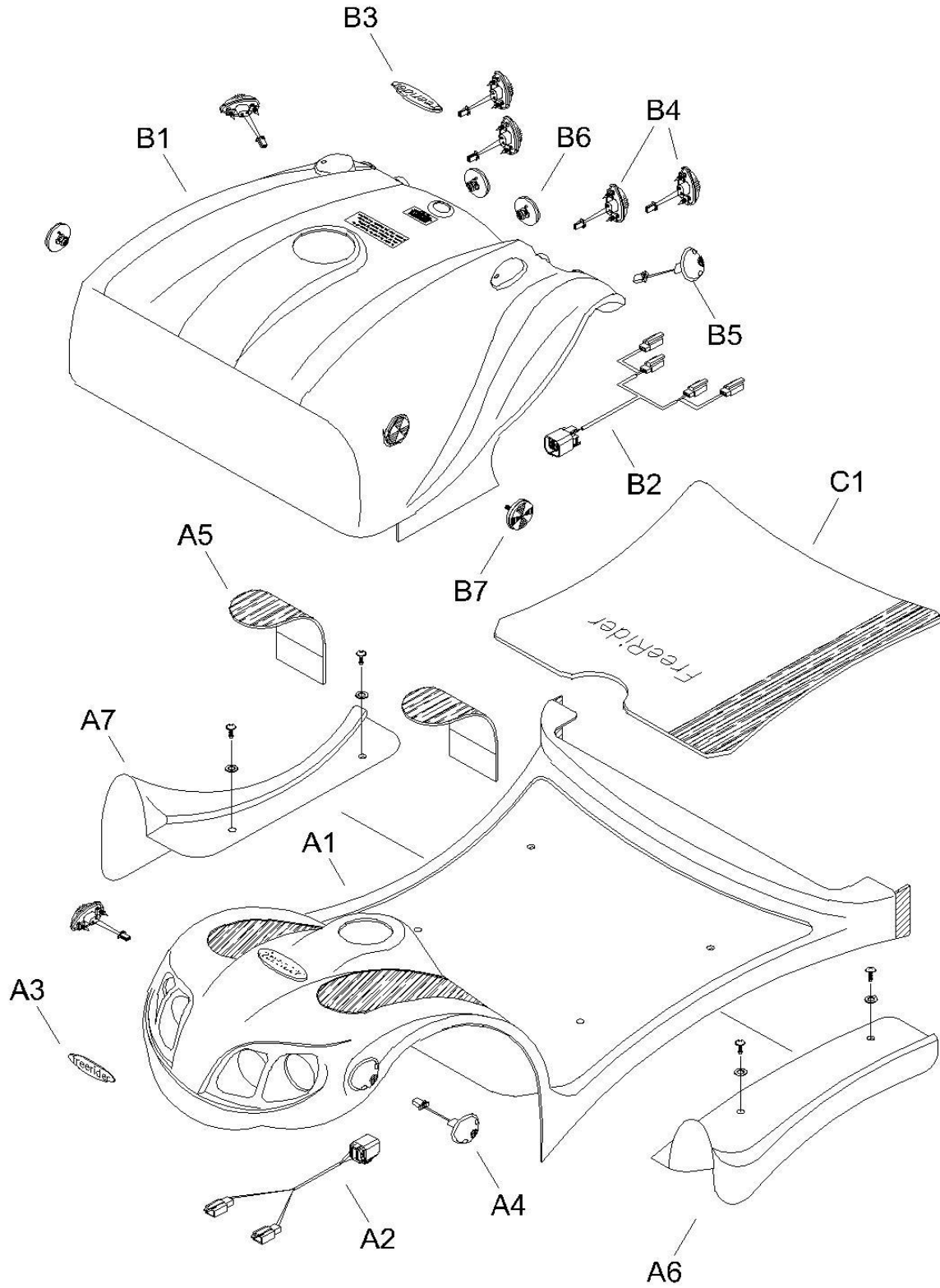
1. HANDLEBAR ASSEMBLY



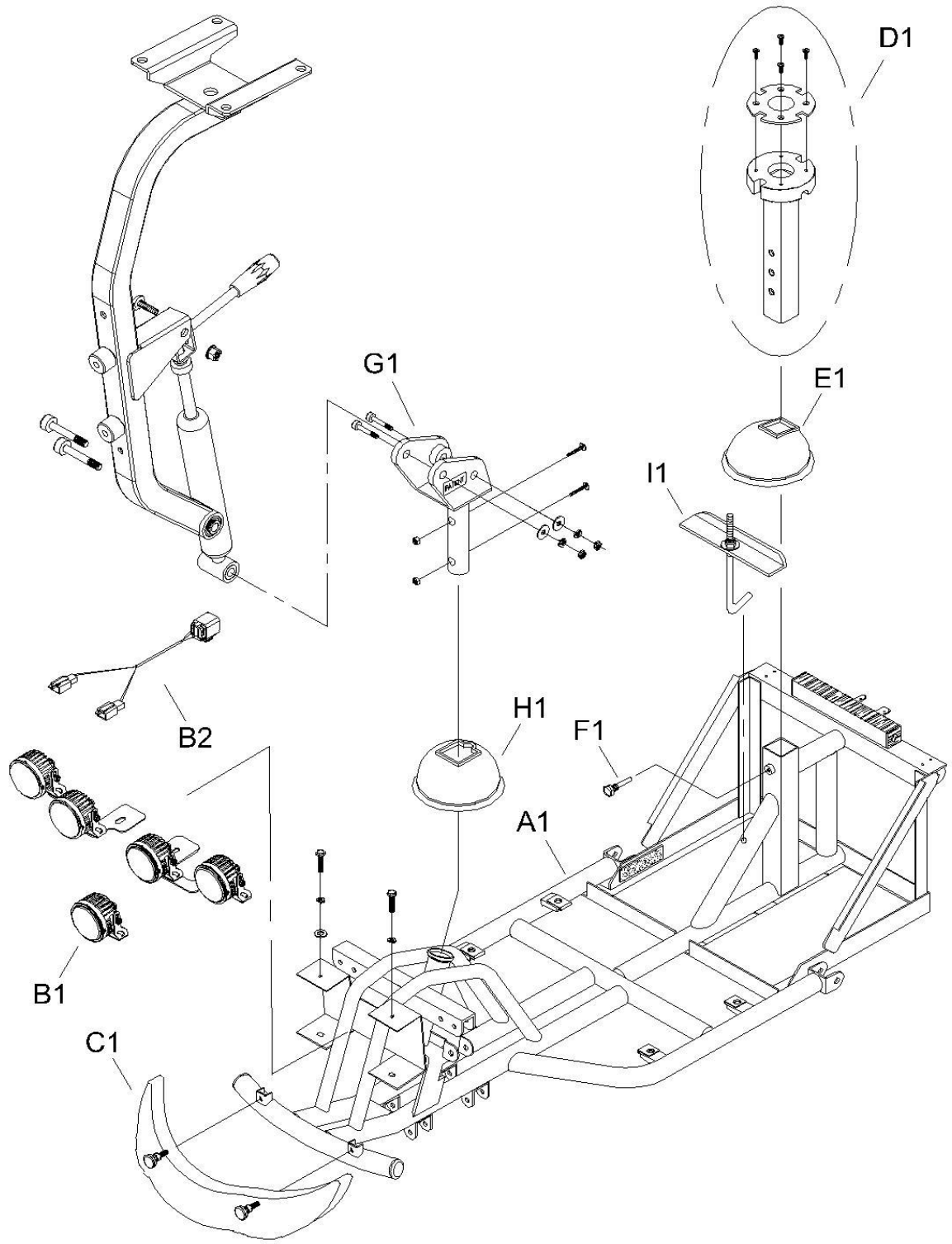
1. HANDLEBAR ASSEMBLY

販售	項目	品號	中文品名	英文品名	數量	備註	EUR
Selling	ITEM	Part Number	Part Name-CN	Part Name-EN	QTY	Remark	
	A1-J1						
	A1-A10	AA01-1205-OD	把手上蓋總成	Top console cover assy.	1		
	A1	PL01-0158	面板貼紙	Sticker	1		
	A2	PKE1-0719	LED顯示板	LED	1		
	A3	PKE1-0111	大燈開關	Head light switch	1		
	A4	PKE1-0113	喇叭開關	Horn button	2		
	A5	PKE1-0114	方向燈開關	Indicator switch	1		
	A6	PKE1-0115	警示燈開關	Warning switch	1		
	A7	PAE1-0110-MO	100KVR小總成	100KVR Potentiometer	1	W/speed knob	
	A8	PP01-0501	速度旋鈕	Speed knob	1		
	A9	PKE1-0112	全/半速開關	HI/LO Speed switch	1		
	A10	PM01-0100	鑰匙開關	Key switch	1		
	A11	PM90-0900	鑰匙	Key	1		
	B1-B3	AAA2-0213-OD	把手下蓋小總成	Console bottom cover assy.	1		
	B1	PKE1-0609	喇叭	Horn	1		
	B2	PAE1-0209	5KVR總成	5KVR Potentiometer	1		
	B3	PP02-0601	前後撥桿	Wig wag accelerator	1		
	C1	PP01-0900-OD	把手頭蓋	Console cover	1		
	D1	PM02-0516	握式把手	Delta handlebar	1		
	D2	PA00-A103	把手架小總成	Tiller frame assy.	1		
	E1	PA03-A201	油壓桿小總成	Cylinder assy.	1		
	F1	PP03-0125-D2	把手前蓋	Tiller front cover	1	D2 : Black	
	F2	PM03-0300-D1	籃子掛鈎	Basket hook	1		
	F3	PP06-0106-L	把手前蓋橡膠蓋-左	Rubber cover(Left)	1		
	F4	PP06-0106-R	把手前蓋橡膠蓋-右	Rubber cover(Right)	1		
	G1-G3	AA02-0114	把手後蓋總成	Tiller rear cover assy.	1		
	G1	PAE1-0422	充電座小總成	Charge socket assy.	1		
	G2	PKE1-0909	USB座	USB charge socket	1		
	G3	PKE1-0258	USB轉接線	USB cable	1		
	H1	PM90-0100	籃子	Basket	1		
	I1	AA02-1405	置物蓋小總成	Storage	1		
	J1	PP90-0203-R	後照鏡-右	Mirror(Right)	1		

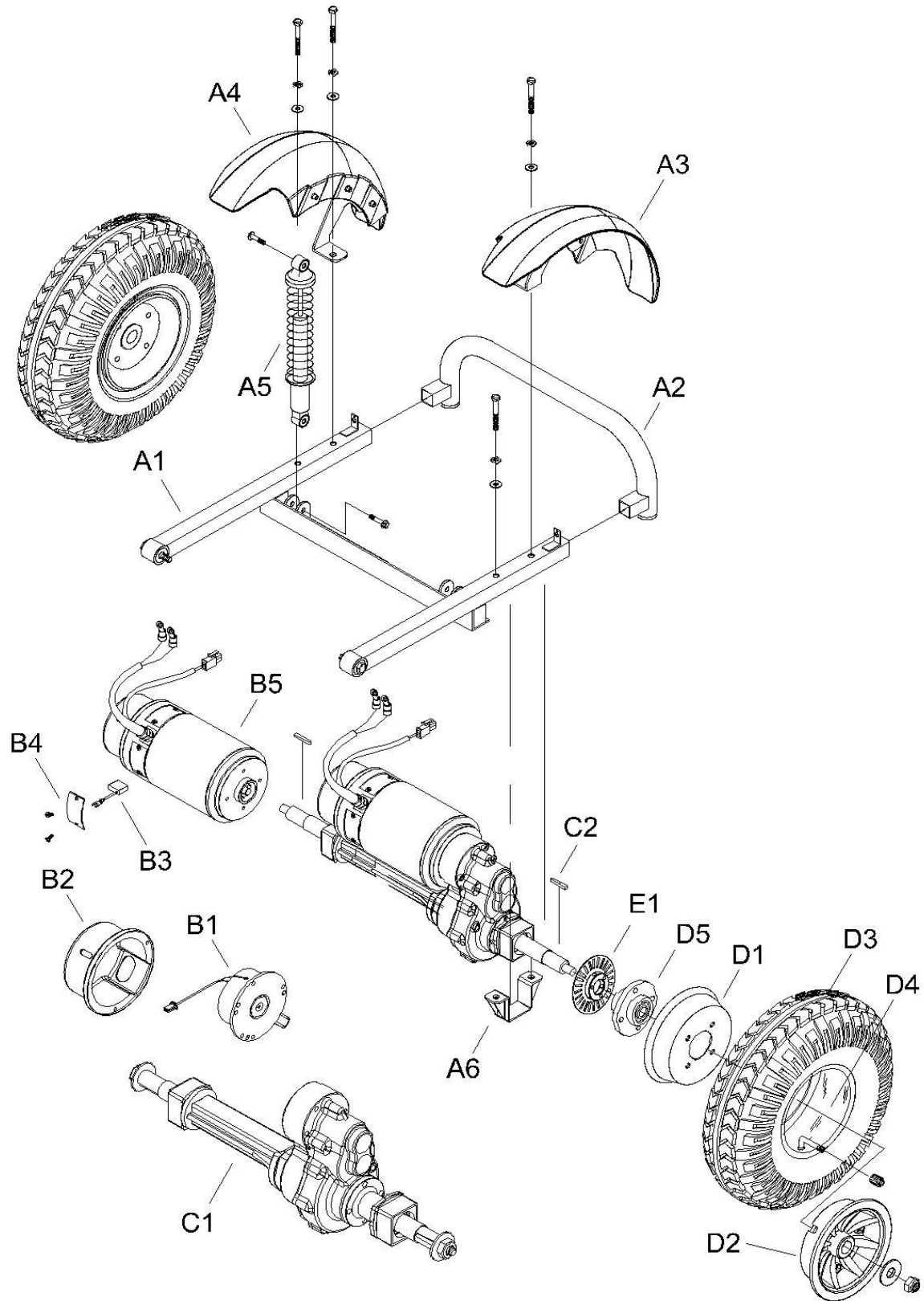
2. CHASSIS COVER ASSEMBLY



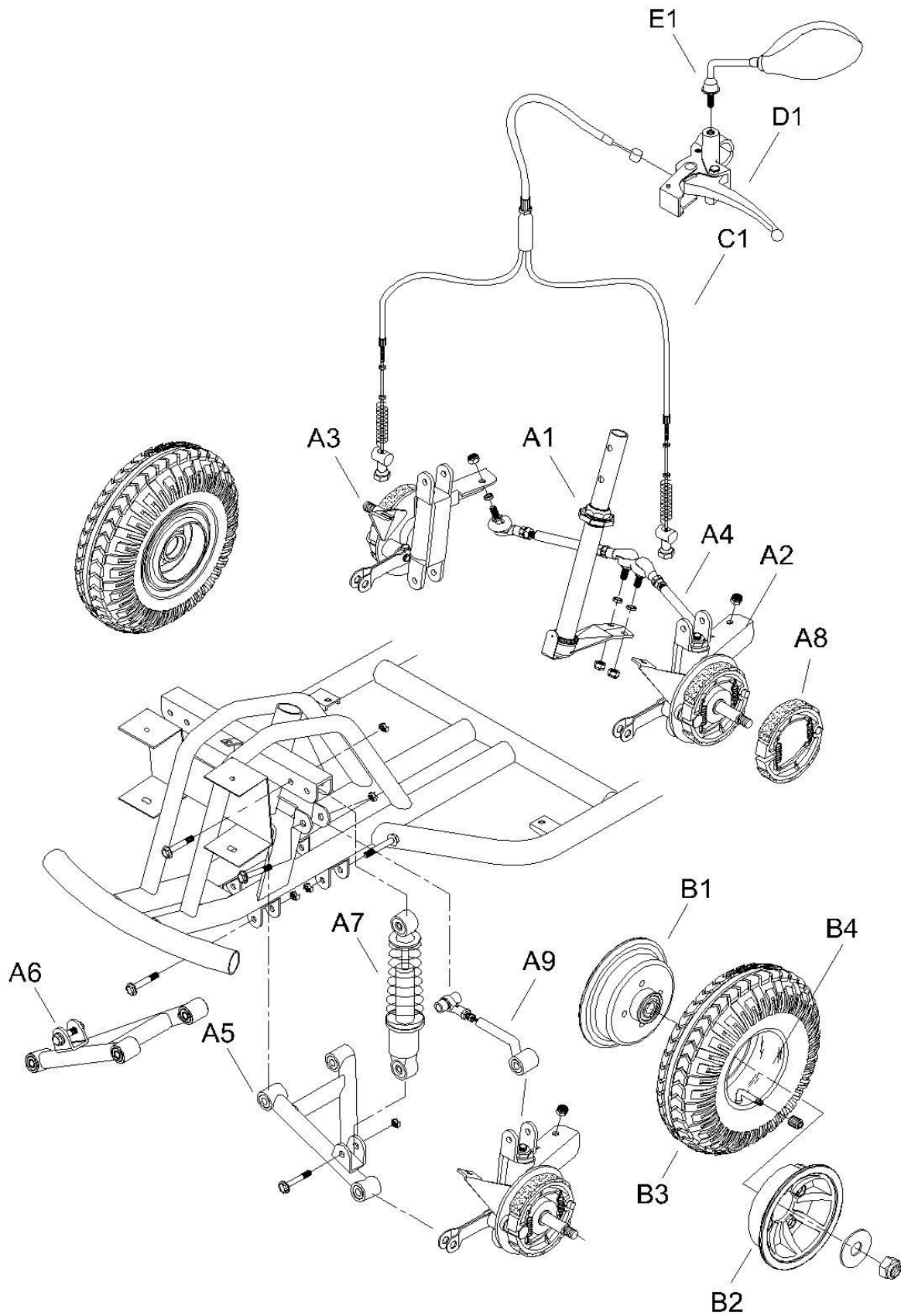
3. FRONT CHASSIS ASSEMBLY



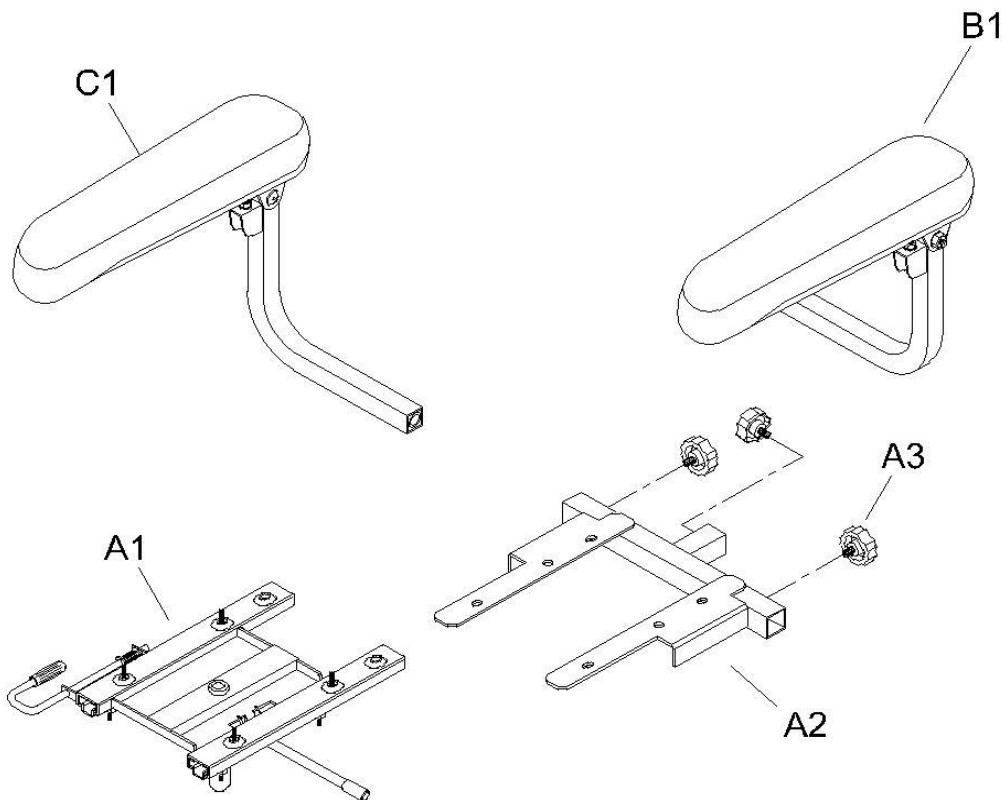
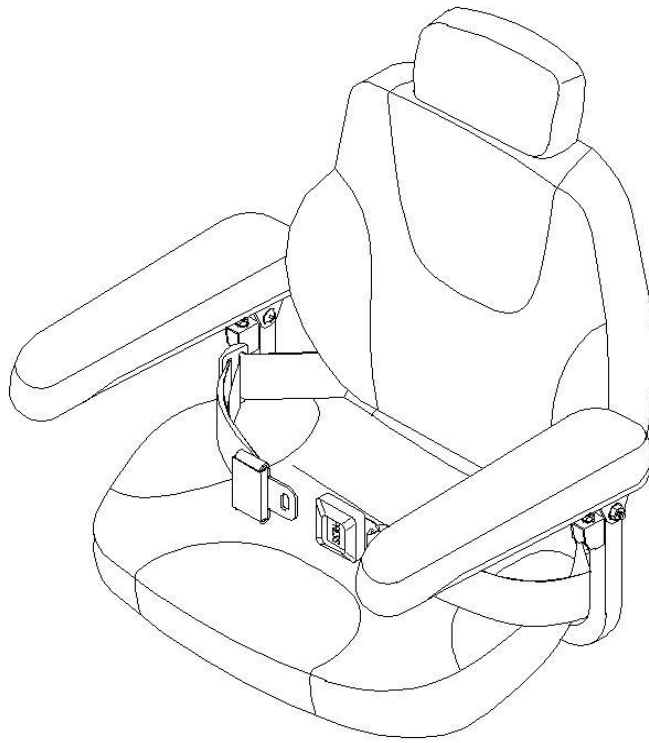
4. REAR CHASSIS ASSEMBLY-DRIVE SYSTEM



5. STEERING



6. SEAT ASSEMBLY



7.CONSOLE AND WIRING SYSTEM

